

# ALVA

## STOVE HEATER COMBO

IDEAL FOR COOKING AND HEATING

GSH001



Your world is better with Alva

- THIS IS A LOW PRESSURE APPLIANCE TO BE USED ONLY WITH A 2.8kPa SANS 1237 APPROVED REGULATOR AND SANS 1156-2 HOSE.
- HOSE AND REGULATOR NOT INLCUDED.
- FOR YOUR OWN SAFETY, PLEASE READ THIS MANUAL CAREFULLY AND ALWAYS OPERATE THIS PRODUCT ACCORDING TO THE INSTRUCTIONS.
- IT IS ILLEGAL AND DANGEROUS TO CHANGE OR MODIFY ANY PART OF THIS APPLIANCE.
- FOR OUTDOOR USE ONLY.



APPROVED FOR USE IN  
SOUTH AFRICA

Manufactured for and distributed by: **ALVA** A division of Stingray Accessory Manufacturers (Pty) Ltd | P.O. Box 30014, Tokai, 7966 | +27 21 442 1540  
info@stingray.co.za | www.alva.co.za | TOLL-FREE NUMBER: 086 100 ALVA (2582)

 /AlvaGas

 /alvagas

## IMPORTANT SAFETY INFORMATION

As with all gas appliances, misuse of this appliance or failure to fully follow these instructions may cause fire, injury or death. Please read all the instructions before using your gas stove heater combo unit. Retain this manual for future reference.

- THIS UNIT MUST BE THOROUGHLY CHECKED BEFORE USE.
- Ensure that all the gas fittings are correctly and firmly fitted before every use.
- DO NOT use this stove heater combo unit if you do not clearly understand the instructions and/or how to operate the controls.
- Phone the customer care line at 086 100 ALVA (2582) for assistance.
- FOR OUTDOOR USE ONLY
- Use only in well ventilated areas.
- DO NOT use in basements, confined spaces or underground areas.
- Some parts of this product may get excessively hot during operation. Keep infants, young children and the infirm at a safe distance from the unit while in operation.
- DO NOT leave the unit unattended while in use.
- Ensure that the gas supply is turned OFF after use and while it is unattended.
- DO NOT move the stove heater combo unit while in use.
- DO NOT place objects on or against it.
- DO NOT attempt to use this product for any purpose other than for which it is intended.
- DO NOT use a naked flame to test for leaks. Follow the Leak Testing procedure outlined under 'LEAK TEST'.
- NEVER use this product with a cylinder other than the size recommended.
- DO NOT touch the dress guard (front wire grill or the stove top), as it gets very hot while in use or after it has been switched off and is cooling.
- The dress guard does not give protection. No part of the dress guard should be removed or changed.
- DO NOT use this product if you suspect it is faulty.
- For safety reasons, only a qualified technician may execute maintenance and repairs. The warranty for the product will be rendered void if it is serviced or repaired by any one other than an Alva appointed technician.
- The product should be inspected once a year by a qualified technician, to make sure the unit is safe and fault free.
- The operator is responsible for the safety of all third parties while the product is in use.



*Please read the instructions carefully before use.*

*Retain this manual for future reference.*

## INDEX

WARRANTY	2
GENERAL INFORMATION	2
PARTS LIST	3
METHOD OF ASSEMBLY	3
LEAK TEST	4
FLASHBACK	4
USING YOUR STOVE HEATER COMBO UNIT TO LIGHT BURNER	5
TO TURN OFF BURNER	5
FITTING AND CHANGING THE GAS CYLINDER	6
MAINTENANCE	7
FREQUENTLY ASKED QUESTIONS	8
TROUBLESHOOTING GUIDE	9
SPECIFICATIONS	10
AFTER SALES SERVICE	10

### KEY



*Important information.*



*Cautions and warnings.*



*Danger*



*Contact an approved  
ALVA technician.*



*Do It Yourself*

## WARRANTY

This unit is covered by a 12-month repair warranty from date of purchase. Proof of purchase will be required with all warranty claims. Any repairs, modifications or tampering with this appliance by an UNAUTHORISED person will void the 12-month repair warranty. This product is intended for domestic use only, not for any industrial use.

**DO NOT RETURN THIS PRODUCT TO THE PLACE OF PURCHASE.**

If you have any questions while setting up or using this stove heater combo unit, please visit [www.alva.co.za](http://www.alva.co.za) or call 086 100 ALVA (2582) or e-mail [info@stingray.co.za](mailto:info@stingray.co.za).

## GENERAL INFORMATION

Before using this product, please read through this manual and make sure you understand everything. If you are not sure, please call 086 100 2582 or visit [www.alva.co.za](http://www.alva.co.za) for help.

Reading and understanding this manual should give you a good indication of what to expect from your Alva gas stove heater combo unit. If this product is not what you want or need, please help Alva and the environment by not damaging or destroying any part of the packaging, the manual or the Styrofoam inserts. Always keep your proof of purchase.

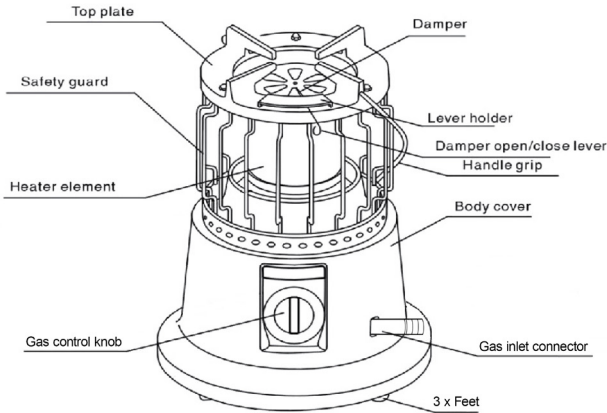
Keep these instructions for future use. If you lose this copy, you can obtain a new copy from your dealer or online at [www.alva.co.za](http://www.alva.co.za)

*Thank you for your purchase of this stove heater combo unit.*

*Please read these instructions carefully before use and keep them in a safe place, for future reference.*

*Not using gas and/or gas appliances according to the instructions is extremely dangerous and can lead to property damage, injury or death.*

## PARTS LIST



## METHOD OF ASSEMBLY

1. This product is to be used with LPG only.
2. Push hose over the gas inlet connector on the appliance until fully engaged.
3. Fasten hose onto the connector with hose clamp, ensuring it is properly tightened.
4. Attach the regulator to the gas cylinder.
5. Make sure the gas control knob is in the **OFF** position and perform the **LEAK TEST**.

If you have bought a new gas cylinder, the cylinder needs to be purged (cleared out), before its first use. If it is not purged of air the heater will not work properly. This should happen at the gas filling station when you fill up the cylinder. Always check this with your gas supplier.

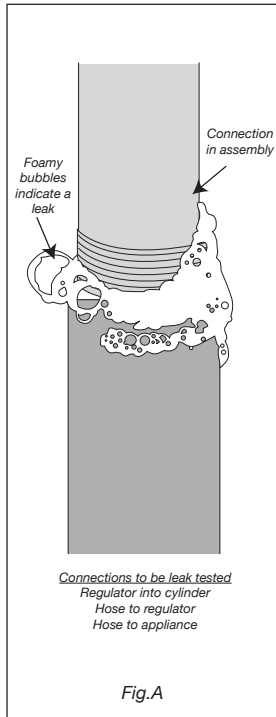


*Note: This appliance is designed for use with a 2.8kPa SANS 1237 regulator with SANS 1156-2 approved hose. Using any other type of regulator or hose is extremely dangerous.*

*Regulator and hose sold separately.*

## LEAK TEST

The leak test must be carried out in a well-ventilated area, free from any flames or other sources of ignition.



- With the cylinder connected to the appliance, open the cylinder valve.
- Brush the connections (appliance to cylinder) with a solution of equal parts soap and water (make sure it's foamy).
- A stream of bubbles forming indicates a gas leak. (See Fig.A)
- If bubbles appear, turn the cylinder valve OFF (clockwise) and disconnect the appliance from the gas cylinder.
- Tighten the connection and retry the leak test.
- If you are unsure or if you cannot tighten the connection, place the cylinder outside in a cool, well-ventilated area and contact Alva on **086 100 ALVA (2582)**.
- A leak between the appliance and cylinder can lead to a high pressure fire, which is very dangerous and can result in extensive injury or even death.



How to do  
a leak test



<http://www.youtube.com/watch?v=8LpZ1B0m23Y&feature=plcp>



**FOR YOUR SAFETY  
IF YOU SMELL GAS**

- Turn off the gas supply at the cylinder.
- Extinguish all naked flames. **DO NOT** operate any electrical appliances.
- Ventilate the area.
- Check for leaks (see LEAK TEST).
- If odour persists, contact your dealer or local gas supplier immediately.

## FLASH BACK (FLAME INSIDE BURNER TUBE)

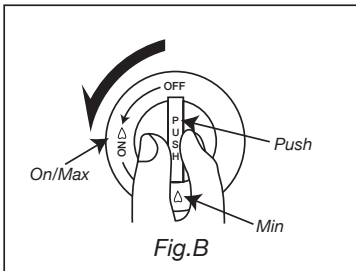
- If a flash back occurs (indicated by a roaring noise), immediately close the cylinder valve.
- Turn the heater OFF at the control knob.
- Disconnect the regulator and allow the appliance to cool.
- Check for blockages in the venturi ports. Clean with compressed air, a small soft brush or pipe cleaners.
- If the problem persists in reuse, have the appliance checked by a qualified technician or phone the ALVA service number : **086 100 ALVA (2582)**.

## USING YOUR STOVE HEATER COMBO UNIT

Make sure both the stove heater combo unit and gas cylinder are placed on a stable level surface.

### To light burner

1. Check all the connections for leaks or damage prior to each use.
2. Ensure the product gas control knob is in the "OFF" position.
3. Open the gas cylinder valve 1½ turns (anti-clockwise).
4. Press the control knob down at the "OFF" position and turn it anti-clockwise to the ON/MAX position until you hear the ignition click. Make sure that the burner has been lit.
5. If the burner does not light first time, repeat step above. This may require more than one attempt.
6. To adjust the flame size, set the gas control knob to a suitable position between MAX (full flame size) and MIN positions (small flame size).



7. To use as a heater turn the Damper Lever to the left (Closed).
8. To use as a stove turn for cooking, turn the Damper Lever to the right (Open).

The recommended maximum pot size (or any other cookware) to be used on this stove top is, 220mm.

### To turn off the Burner

1. Turn the gas control knob to the OFF position until you hear a click.
2. Make sure the burners are out and then close the cylinder valve.



*Take note: On first lighting a new cylinder or connecting a cylinder after it has been refilled, you may have to depress the control knob for a longer period of time.*



*During use it is normal for the top of the heating unit (Damper) to glow red.*

## FITTING AND CHANGING THE GAS CYLINDER

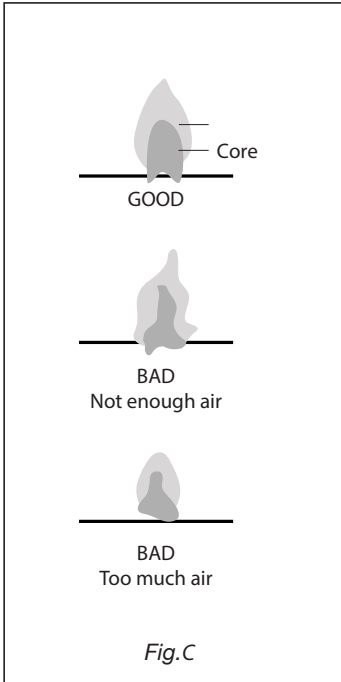
1. Before connecting the appliance to a gas cylinder, always ensure that the rubber seal on the Regulator is in position and in good condition, and blow out any dust from the cylinder opening to prevent possible blockage of the jet.
2. Ensure that the gas cylinder is fitted or changed in a well-ventilated location, preferably outdoors, away from any source of ignition, such as naked flames and away from other people.
3. Make sure that the gas cylinder is kept upright at all times, screw the regulator onto the cylinder until it is fully engaged. Hand-tighten only.
4. Never store the cylinder on a stove surface. It is best practice to store it on the floor in a position where it cannot be tampered with.
5. If there is a leak on your appliance (smell of gas), take it outside immediately into a well-ventilated flame free location where the leak may be detected and stopped.
6. When removing a gas cylinder (e.g. to change cylinders), firstly close the cylinder valve and then the appliance valve, making sure the flame is extinguished, before unscrewing the regulator. Re-fit the regulator to a full cylinder following the same precautions as above.



*Any LP Gas cylinder not connected for use must not be stored in the vicinity of this or any other appliance.*



## MAINTENANCE



- Always make sure the appliance is OFF and cool, with the cylinder valve closed, before conducting any maintenance.
- Your appliance should be checked once a year by a qualified technician.
- If faults are suspected or detected, stop using the appliance and contact ALVA.
- Clean the exterior and of your appliance with a soft damp cloth when required to remove dust and prevent lint build up.
- DO NOT use abrasive products to clean the appliance; these may damage the paint work.
- While in operation the flame should be steady. If it flickers or is yellow the heater needs to be serviced. (Fig. C)



*Do not use pot scourers or abrasive cleaning products on this appliance as these will permanently mark it.*

If any part of the appliance is in need of replacing, use only original Alva parts. Using any other spare parts is dangerous and will void the warranty.

For better service and a longer service life, keep the appliance clean and store it in a dry place.

Always disconnect the appliance from the gas cylinder when it will not be used for an extended period of time.

## FREQUENTLY ASKED QUESTIONS

**Q: Why is there an odour when I use a gas appliance?**

A: All gas appliances give off an odour. This could be harmful if inhaled for extended periods of time. This “smell” is normal, and it does not mean that you have a gas leak. The smell of raw gas (just before you ignite the appliance) differs to the smell coming from the appliance when it is in use. The odour is added to allow easy gas detection.

**Q: Why must there be ventilation when using a gas heater?**

A: Whenever fuel (LP Gas in this case) is burned, ventilation is needed. Any fire needs oxygen to burn. Think of a fireplace, you require a chimney or flue for the smoke to exit the house. Even though a gas heater does not generate smoke, it still generates carbon monoxide and carbon dioxide, which can be dangerous if not diluted by fresh air. Always ensure adequate ventilation by leaving a door or window open in the same room.

**Q: How long will the gas in my cylinder last?**

A: This depends on how you use your appliance. It is easy to calculate your gas consumption. Take the capacity of the gas cylinder in grams (i.e. 3000g for a 3 kg cylinder) and divide it by the gas consumption of the appliance, on your desired setting (refer to the Specifications section in this manual (page 10). The answer to the calculation is the approximate number of hours that your appliance will burn for.

**Q: What do I do if I have an over-filled cylinder?**

A: The best method to determine if your cylinder is over-filled is to weigh it. Subtract the ‘tare’ mass from the cylinder weight – this gives you the weight of your gas. If this gas weight exceeds your cylinder design weight (3kg) then return the cylinder to your gas supplier.



*How to test if  
your cylinder  
is overfilled*



*<http://www.youtube.com/watch?v=YaVsYE8nzCw&feature=plcp>*

## TROUBLE SHOOTING GUIDE



*If you are still unable to correct the problem with the information in this guide, then you need to contact your nearest dealer or manufacturer.*

TROUBLE	CAUSE	REMEDY
It does not ignite	<ul style="list-style-type: none"> <li>• Main gas valve is closed</li> <li>• Hose is bent</li> <li>• No gas supply</li> <li>• Electronic ignition is wet</li> </ul>	<ul style="list-style-type: none"> <li>• Open it</li> <li>• Put it right or replace it</li> <li>• Replace gas cylinder</li> <li>• Clean and dry</li> </ul>
It smells of gas	<ul style="list-style-type: none"> <li>• Gas leak from fittings or hose</li> <li>• Hose is damaged</li> <li>• Burner is not lit</li> </ul>	<ul style="list-style-type: none"> <li>• Perform leak test &amp; tighten/replace component</li> <li>• Replace it</li> <li>• Re-ignite it</li> </ul>
Combustion is abnormal	<ul style="list-style-type: none"> <li>• Lack of gas supply</li> <li>• Flame ports are clogged</li> </ul>	<ul style="list-style-type: none"> <li>• Replace gas cylinder</li> <li>• Clean them</li> </ul>

## SPECIFICATIONS

Model	GSH001
Description	Gas Stove Heater Combo
Gas	LP Gas only
Operating pressure	2.8kPa
Injector size	0.89mm
Gas consumption at Max	260g/h
Heat output at Max	3.6kW
TO BE USED WITH A 2.8 kPa SANS 1237 APPROVED REGULATOR ONLY, WITH A MINIMUM CAPACITY OF 1kg/hr	
Any modification to the appliance may cause injury or property damage.	
Any modification to the appliance will invalidate the warranty.	

## AFTER SALES SERVICE

MANUFACTURED FOR AND DISTRIBUTED BY  
Alva, a division of Stingray Accessory Manufacturers (Pty) Ltd.  
P.O. Box 30014  
Tokai, 7966  
Tel: 021 442 1540  
E-mail: [info@stingray.co.za](mailto:info@stingray.co.za)  
[www.alva.co.za](http://www.alva.co.za)  
 [/alvagas](https://www.instagram.com/alvagas)  
 [www.facebook.com/AlvaGas](https://www.facebook.com/AlvaGas)

TOLL FREE NUMBER **086 100 ALVA (2582)**