



ALVA

PATIO HEATER WITH LED ILLUMINATION

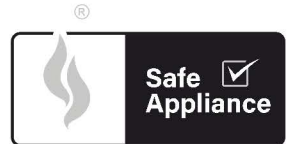
BLACK AND STAINLESS STEEL

GHP40



Your world is better with Alva

- THIS IS A LOW PRESSURE APPLIANCE TO BE USED ONLY WITH A 2.8kPa SANS 1237 APPROVED REGULATOR. (REGULATOR FITTED AND SUPPLIED)
- FOR YOUR OWN SAFETY, PLEASE READ THIS MANUAL CAREFULLY AND ALWAYS OPERATE THIS PRODUCT ACCORDING TO THE INSTRUCTIONS
- IT IS ILLEGAL AND DANGEROUS TO CHANGE OR MODIFY ANY PART OF THIS APPLIANCE



APPROVED FOR USE IN
SOUTH AFRICA

Manufactured for and distributed by:  A division of Stingray Accessory Manufacturers (Pty) Ltd | P.O. Box 30014, Tokai, 7966 | +27 21 442 1540
info@stingray.co.za | www.alva.co.za | TOLL-FREE NUMBER: 086 100 ALVA (2582)

 /AlvaGas

 /alvagas

IMPORTANT SAFETY INFORMATION

As with all gas appliances, misuse of this appliance or failure to fully follow these instructions may cause fire, injury or death. Please read all the instructions before using your gas heater.

- THIS UNIT MUST BE THOROUGHLY CHECKED BEFORE USE.
- Ensure that all the gas fittings are correctly and firmly fitted before every use.
- Remove all packaging materials before assembling.
- For OUTDOOR USE ONLY. Not for commercial use.
- For use with LP gas only.
- DO NOT use within 1m of any flammable surfaces.
- DO NOT use this patio heater if you do not clearly understand the instructions and/or how to operate the controls.
- Phone the customer care line at 086 100 ALVA (2582) or email info@stingray.co.za for assistance.
- DO NOT store flammable materials or another cylinder near the patio heater.
- DO NOT leave the heater unattended while in use.
- Ensure that the gas supply is turned OFF at the cylinder after use and while the heater is unattended.
- DO NOT move the heater while in use.
- DO NOT place objects on or against the heater.
- DO NOT use a naked flame to test for leaks. Follow the Leak Testing procedure outlined under 'LEAK TEST'.
- Leak test the patio heater every year or if you ever smell gas.
- NEVER use this heater with a cylinder other than the size recommended.
- DO NOT unscrew the regulator while the patio heater is on or if the cylinder valve is open.
- DO NOT use a patio heater you suspect is faulty.
- For safety reasons, only a qualified technician may execute maintenance and repairs.
- The warranty for the patio heater will be rendered void if the patio heater is serviced or repaired by any one other than an Alva appointed technician.
- The patio heater should be inspected once a year by a qualified technician, to make sure the unit is safe and fault free.
- The operator is responsible for the safety of all third parties while the heater is in use.
- DO NOT use in windy or gusty conditions.
- Accessible parts may get very hot during operation. Keep young children at a safe distance.
- Clean with warm soapy water only after the heater has cooled down.
- Keep the burner unit clear of spider webs or other obstructions.
- Close the gas cylinder valve after use.
- Any modification of this heater is dangerous.
- If you smell gas close the cylinder valve immediately.



Please read the instructions carefully before use.

Retain this manual for future reference.

INDEX

WARRANTY	1
GENERAL INFORMATION	1
PARTS DIAGRAM	2
PARTS LISTING AND TOOLS REQUIRED	3
ASSEMBLY	4
HEATER SET UP	4
LEAK TEST	9
USING YOUR HEATER	9
FLASHBACK (flames in the burner tube)	10
CHANGING YOUR CYLINDER	11
MAINTENANCE	11
FREQUENTLY ASKED QUESTIONS	12
SPECIFICATIONS	13
TROUBLESHOOTING GUIDE	14
AFTER SALES SERVICE	14

KEY



Important information



Cautions and warnings.



Danger



Contact an approved ALVA technician.



Do It Yourself



Instructional video available

WARRANTY

PLEASE RETAIN YOUR PROOF OF PURCHASE FOR WARRANTY CLAIMS.

ALVA warrants this appliance to be free of defects in material and quality for a period of 12 months from date of original purchase. This warranty covers the intended use of this appliance – within a domestic setting and not for commercial or industrial purposes. Any damage caused by wilful abuse, tampering, modification or unauthorized repair will not be warranted.

Please retain all packaging material, as items returned without original packaging material may be subject to a withholding fee. Where this appliance is found to be defective, damaged, broken, or does not work correctly for the intended purpose, you must return the appliance to the retailer from where it was purchased. The warranty will only be effected with valid proof of purchase. Failure to provide the proof of purchase will most likely result in the repair or service required being chargeable.

If you have any questions while setting up or using this heater, please visit www.alva.co.za or call 086 100 ALVA (2582) or e-mail info@stingray.co.za

GENERAL INFORMATION

Before using this heater, please read through this manual and make sure you understand everything. If you are not sure, call **086 100 ALVA (2582)** or visit www.alva.co.za for help. This heater is a safe and efficient form of heating when used according to these instructions.

Reading and understanding this manual should give you an informed indication of what to expect from your Alva gas heater. If this product is not what you want or need, please help Alva and the environment by not damaging or destroying any part of the packaging, the manual or the Styrofoam inserts. Always keep your proof of purchase. Keep these instructions for future use. If you lose this copy, you can obtain a new copy from your dealer or online at www.alva.co.za.

This appliance operates on a 2.8kPa SANS 1237 approved regulator. Regulator and hose included.



Thank you for your purchase of this patio heater. Please read these instructions carefully before use and keep them in a safe place, for future reference.



Not using gas and/or gas appliances according to the instructions is extremely dangerous and can lead to property damage, injury or death.

For outdoor use only.

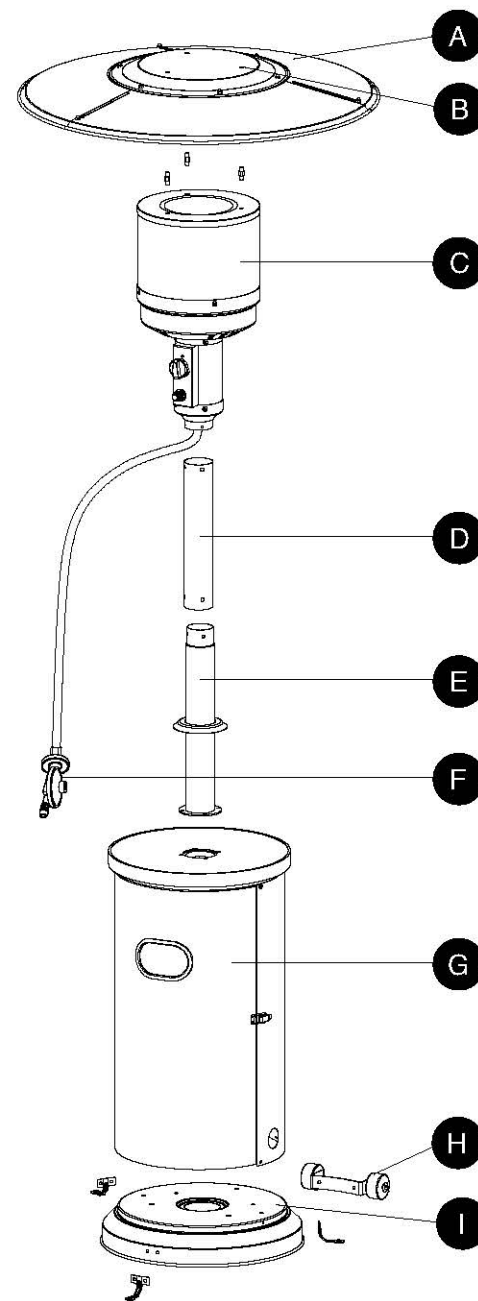
For use with LPG only

DO NOT use within 1m of any flammable surfaces.

Always turn OFF the gas supply at the cylinder after use.

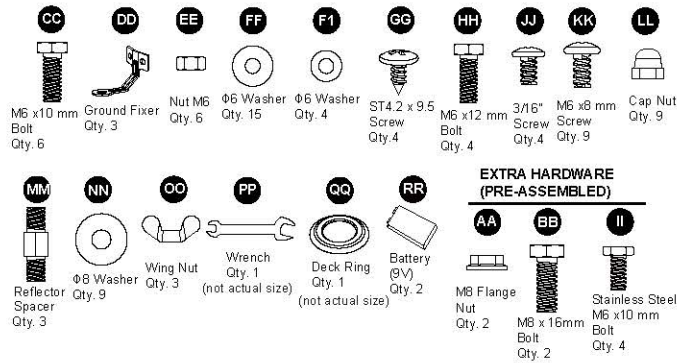
DO NOT store flammable materials or another cylinder near the heater.

PARTS DIAGRAM



Part	Description	Quantity
A	Reflector Panel	3
B	Reflector Plate	1
C	Head Assembly	1
D	Upper Pole	1
E	Lower Pole	1
F	Gas Hose & Regulator	1
G	Cylinder Housing	1
H	Wheel Kit	1
I	Base	1

PARTS LISTING AND TOOLS REQUIRED



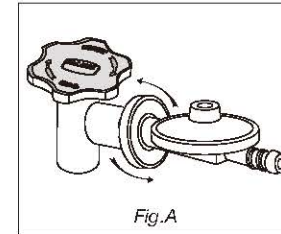
TOOLS NOT SUPPLIED	QUANTITY
Philips screwdriver with medium blade	x1
Spray bottle of soap solution for leak test (see page 9)	x1

ASSEMBLY

Remove all packaging materials before assembling the patio heater.

Before Assembly:

- Please read all instructions thoroughly before proceeding with the appliance assembly.
- Find a large clean area in which to assemble the patio heater.
- Before beginning assembly of product, make sure all parts are present. Compare parts with package contents list and hardware contents above. If any part is missing or damaged, do not attempt to assemble the product. Contact customer service for replacement parts.
- Assembly of the heater involves large components and it is advisable to have two people to assemble the unit.

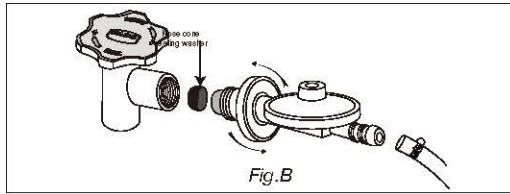


This patio heater makes use of an industrial cylinder (9kg ALVA cylinder recommended) with a 5/8" BSP thread; horizontal exit valve. The Bullnose regulator supplied with the heater tightens to the left hand side (anti-clockwise). (Figure A).

If you have bought a new gas cylinder, the cylinder needs to be purged (emptied out), before its first use. If it is not purged of air, the heater will not function correctly. This should happen at the gas filling station when you fill up the cylinder. Always check this with your gas supplier.

HEATER SET UP

1. Before removing this heater from the packaging, read this manual in full and make sure that it is what you want /need.
2. Remove the heater from the packaging
3. Check if the nose cone sealing washer is in place, secure and in good condition. (Figure B)
4. The regulator fits directly into the cylinder valve. Always ensure that the regulator is correctly and firmly screwed in place. The use of any adaptors is illegal.

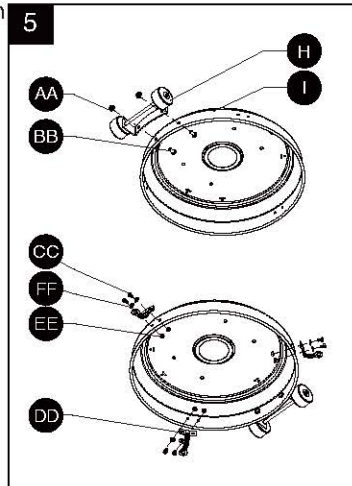
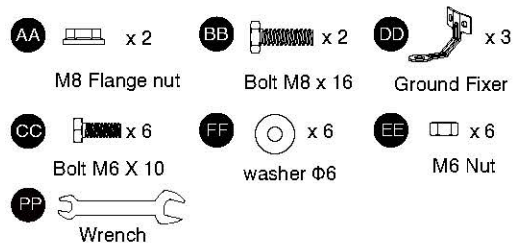


This product contains sharp edges on the panels, cylinder housing and handle, please install with care.

Your heater should be checked once a year by a qualified technician. Take special care to retighten any fixtures or nuts and bolts that have come loose.

5. Line up holes on the bracket of wheel assembly (H) with the corresponding holes on base (I), then insert M8 x 16 mm bolts (BB) through holes. Hand tighten with M8 flange nuts (AA). Be sure the wheel assembly is parallel to the base. To protect heater from strong wind, anchor the base securely to the ground with screws.
- Reverse the base, fix the ground fixer (DD) to the base with bolts (CC) and washers (FF) as illustrated in diagram.
 - Secure the ground fixer with nuts (EE).
 - Fix another two ground fixer with bolts and nuts, and reverse the base. Tighten all bolts with a wrench.

Hardware Used

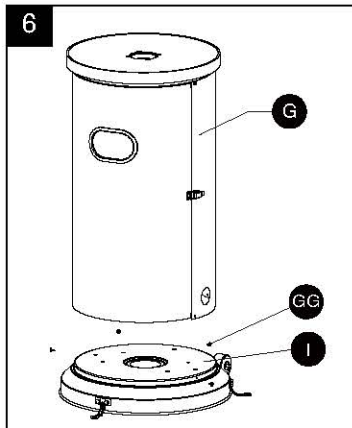
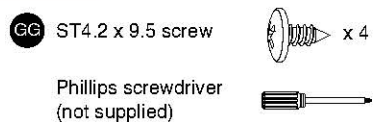


6. Attach cylinder housing (G) loosely to base (I) with ST4.2 x 9.5 screws (GG). Tighten with a Phillips screwdriver (not supplied).

WARNING: Remove protective cover before assembling.

Note: The door of the housing must be positioned in the opposite direction of the wheel assembly to ensure the gas cylinder does not fall out of the unit when moving it.

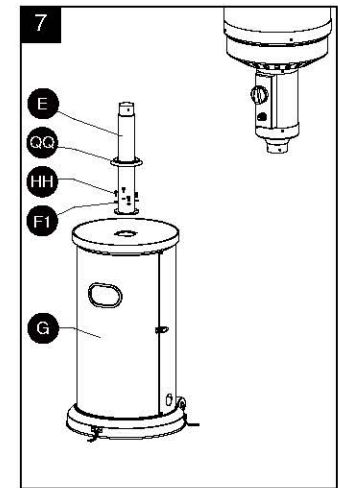
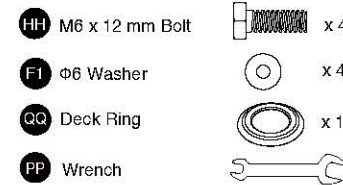
Hardware Used



7. Secure lower pole (E) to cylinder housing (G) using the M6 x 12 mm bolts (HH) and Φ6 washers (F1). Tighten all bolts with a wrench.

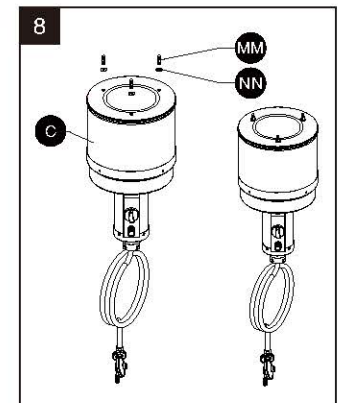
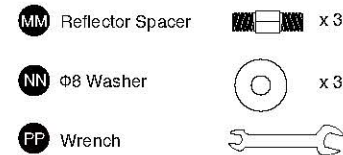
Fasten and cover with the deco ring (QQ).

Hardware Used



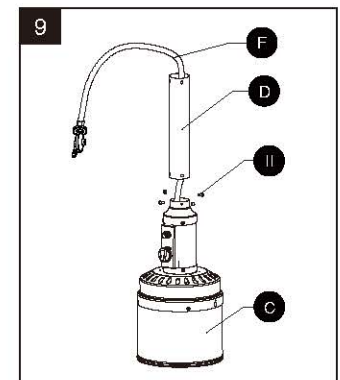
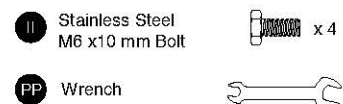
8. Attach reflector spacers (MM) and Φ8 washers (NN) to the top of head assembly (C). Tighten the reflector spacers with a wrench.

Hardware Used



9. Unscrew the pre-mounted bolts on the burner head. Insert hose (F) of head assembly (C) into upper pole (D). Secure head assembly to pole with stainless steel bolts M6 x10 mm (II). Tighten all bolts with a wrench.

Hardware Used

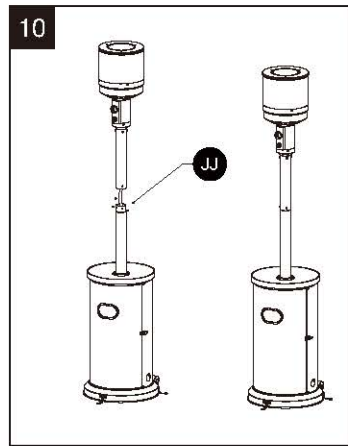
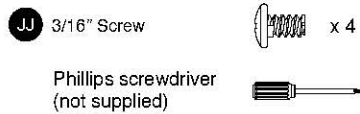


10. Insert the upper pole onto the lower pole, using 4 pcs Screw 3/16"(JJ) to firmly secure 2pcs pole. Tighten with a Phillips screwdriver (not supplied). The warning label on the upper pole should be on the same side as the flat plate of the lower pole.

Note 1: The control knob on head assembly should be above the decal on pole. When applicable, visually check portions of the hose assembly located within the confines of the heater post.

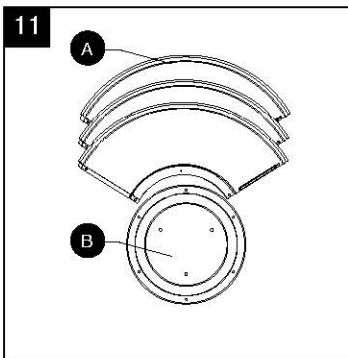
Note 2: Insert the regulator through the lower pole.

Hardware Used



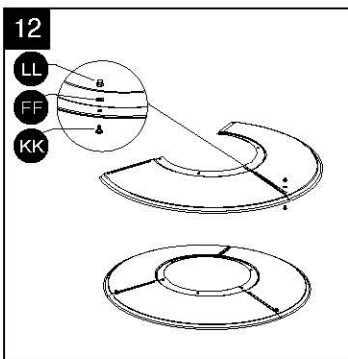
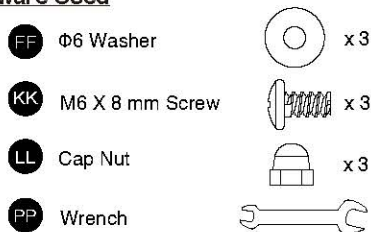
11. **WARNING: Remove protective cover before assembling.**

Note: If necessary for proper alignment of reflector sections, loosen each bolt prior to further assembly and retighten after sections are aligned.



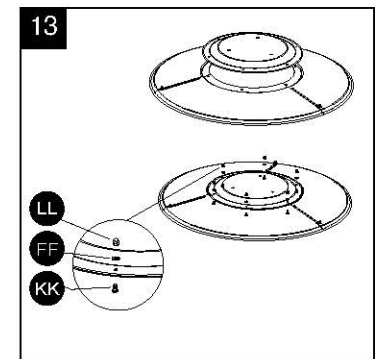
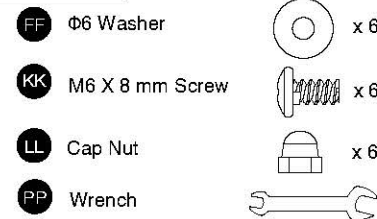
12. Attach reflector panels (A) together using M6 x 8 mm screws (KK) and Φ6 washers (FF). Secure loosely with cap nuts (LL). Tighten all bolts with a wrench.

Hardware Used



13. Attach reflector plate (B) to reflector panels (A) using M6 x 8 mm screws (KK) and Φ6 washers (FF). Secure loosely with cap nuts (LL). Once properly aligned, tighten all screws and the preassembled bolts with a wrench.

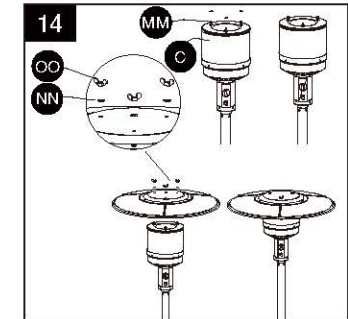
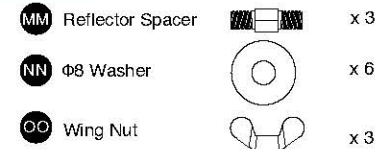
Hardware Used



14. Slide Φ8 washers (NN) over the threaded ends of reflector spacers (MM). Attach reflector assembly to head assembly (C). Place Φ8 washers (NN) over threaded ends of reflector spacers (MM) protruding through reflector assembly and secure with wing nuts (OO).

Note: Do not overtighten.

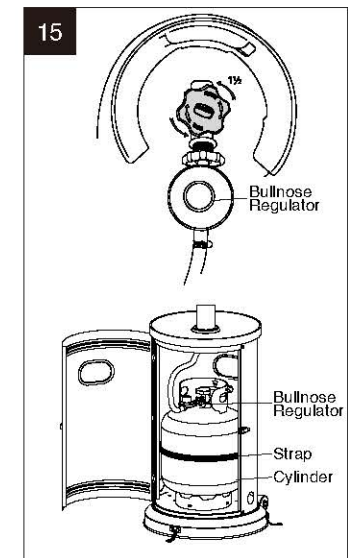
Hardware Used



15. Screw gas hose and regulator (F) into gas cylinder valve (not included). DO NOT cross-thread. DO NOT use a tool to tighten the regulator; it is to be hand-tightened only. Place the gas cylinder into the cylinder housing (G), fasten cylinder with tank strap. Open the cylinder valve 1½ turns to the left (anti-clockwise).

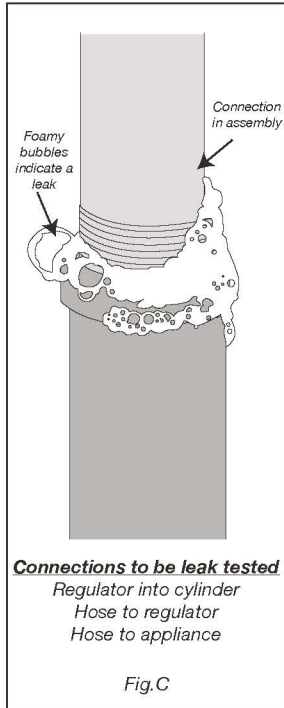
16. Perform leak test. (See page 9)

17. Install 2x 9V batteries (RR) into position on underside of table top. Ensure contacts are properly inserted and thereafter the battery is clipped in place to secure. (See Fig.E, on page 10)



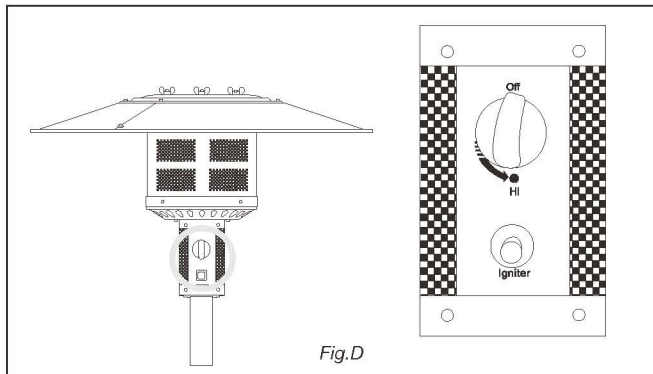
LEAK TEST

The leak test must be carried out in a well-ventilated area, free from any flames or other sources of ignition.



- With the cylinder connected to the heater, open the cylinder valve 1½ turns.
- Brush the connections (heater to cylinder) with a solution of equal parts soap and water (make sure it's foamy).
- A stream of bubbles forming indicates a gas leak. (See Fig.C)
- If bubbles appear, turn the cylinder valve OFF (clockwise) and disconnect the heater from the gas cylinder.
- Tighten the connection and retry the leak test.
- If you are unsure or if you cannot tighten the connection, place the cylinder outside in a cool, well-ventilated area and contact Alva on **086 100 ALVA (2582)**.
- A leak between the heater and cylinder can lead to a high pressure fire, which is very dangerous and can result in extensive injury or even death.

USING YOUR HEATER



FOR YOUR SAFETY IF YOU SMELL GAS

- Turn off the gas supply at the cylinder.
- Extinguish all naked flames. DO NOT operate any electrical appliances.
- Ventilate the area.
- Check for leaks (see LEAK TEST)
- If odour persists, contact your dealer or local gas supplier immediately.



Before proceeding to ignite the heater, make sure you understand the "IMPORTANT SAFETY INFORMATION" section of this manual.

Lighting of the Patio Heater:

1. Check all the connections for leaks or damage prior to each use.
2. Turn the gas control knob to the OFF position.
3. Open the gas cylinder valve 1½ turns (anti-clockwise).
4. Gently push in the control knob on the heater and turn it to the HI position.
5. Keeping the control knob depressed, press the igniter button. The burner will ignite. Keep the knob depressed for another 10 seconds to allow the flame failure safety device to activate.
6. Once the burner ignites, select your required heat setting.
7. When lighting the heater for the first time, you may have to keep the control knob depressed a little longer to allow any air in the system to clear.
8. If the heater does not ignite the first time, wait for 5 minutes and repeat the lighting instructions. If you still experience ignition problems, contact 086 100 ALVA (2582) for assistance.

Turning the Patio Heater Off:

1. Close the cylinder valve (clockwise).
2. Turn the heater control knob to the OFF position.
3. DO NOT attempt to relight the heater for at least 10 minutes.

Visual inspection of the burner flame:

The flame pattern on the flame screen (Emitter grid) should become evenly bright red while the heater is burning. The heater should be turned off immediately if either of the following conditions are observed:

1. When the flame extends more than 10 to 15mm beyond the surface of the Flame Screen (Emitter grid)
2. When black soot accumulates on the Flame Screen (Emitter Grid)

Table Light

- To switch table light, ON or OFF press red button
- The light switch (red button is located on the underside of cabinet surface. The light decal on the cabinet shows approximate position of button on inside

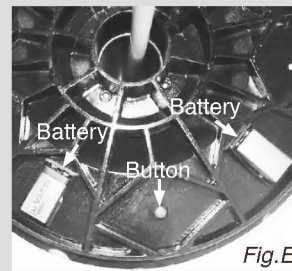
FLASHBACK (flames in the burner tube)

If a flash back occurs (indicated by a roaring noise), immediately close the cylinder valve.

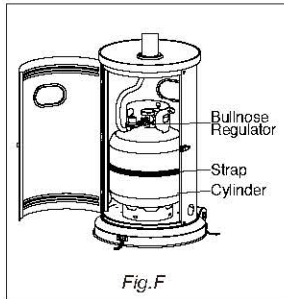
- Turn the heater OFF at the control knob.
- Disconnect the regulator and allow the heater to cool.
- Check for blockages in the burner head. Clean with compressed air, a small soft brush or pipe cleaners.
- If the problem persists, have the heater checked by a qualified technician.



Smoke and odour caused by the heating of oils used during manufacturing will occur when lighting the heater for the first time. This is normal and there is no reason for alarm. Avoid inhaling the fumes! The smoke and odour should dissipate within 3 - 4 minutes.



CHANGING YOUR CYLINDER



Make sure the cylinder valve is closed (by turning it clockwise). Allow the heater to fully cool before replacing the cylinder. Open the heater cylinder housing door, unclip the cylinder strap and unscrew the regulator (*Fig.F*).

Remove and replace the cylinder. ALWAYS check that the regulator-sealing washer (nose cone) is intact and in place before reattaching the regulator to a cylinder. (*Figure B - Page 5*)

DO NOT attempt to remove the regulator while the heater is on or if the cylinder valve is not closed.

MAINTENANCE

- Always make sure the heater is OFF and cool, with the cylinder valve closed, before conducting any maintenance.
- Your heater should be checked once a year by a qualified technician.
- If faults are suspected or detected, stop using the heater and contact ALVA.
- Clean the exterior and storage area of your heater when required to remove dust.
- DO NOT use abrasive products to clean the heater; these may damage the paint work.
- Check the burner and remove any debris, dirt, spider webs or wasp nests from the burner ports by using compressed air or a pipe cleaner. DO NOT clean the burner with water or tamper with the jets. If a jet is blocked it must be replaced with an original manufacturer marked jet.
- Replace parts and allow the heater to dry properly before storing.
- If the gas control or ignitor is exposed to water or gets wet, dry it properly before attempting to light the heater. You might have to replace the parts if the heater does not ignite.

- The airflow must not be obstructed. Keep the controls and burner passage clean.

Clean with a soft brush or blow clean with compressed air. If any part of the heater is in need of replacing, use only original Alva parts. Using any other spare parts is dangerous and will void the warranty. When the heater is not in use for extended periods, always keep the burner head covered. Your heater should be checked once a year by a qualified technician. Take special care to retighten any fixtures or nuts and bolts that have come loose.

Signs of a blockage:

1. Gas odour with extreme yellow tipping of the flame.
2. Heater does not reach the desired temperature.
3. Heater glow is excessively uneven.
4. Heater making popping sounds.
5. Heater 'Flashes back' in burner tube.

Storage

Store the heater in a cool dry place. If in a coastal area extra care must be taken in selecting the storage area as rust will occur if exposed to the elements. Disconnect the cylinder and store separately in a protected dry and cool place. Alva recommends that you cover your heater. Full length covers are available as optional extras.

Cleaning and care

- Wipe off all surfaces with a soft, moist cloth. DO NOT clean the heater with combustible or corrosive cleaners.
- Remove debris from the burner to keep it clean and safe for use.
- In order to prolong the life of your heater we recommend oiling all stainless steel surfaces, with exception of the reflector, flame screen and burner base, on a regular basis. This is especially important near the coast.

FREQUENTLY ASKED QUESTIONS

- Q:** Why is there an odour when I use a gas heater?
A: All gas appliances give off an odour. This could be harmful if inhaled for extended periods of time. This "smell" is normal, and it does not mean that you have a gas leak. The smell of raw gas (just before you ignite the appliance) differs to the smell emitting from the heater when it is in use. The odour is added to allow easy gas detection.

Q: Why must there be ventilation when using a gas heater?

A: Whenever fuel (LP Gas in this case) is burned, ventilation is needed. Any fire needs oxygen to burn. Think of a fireplace, you require a chimney or flue for the smoke to exit the house. Even though a gas heater does not generate smoke, it still generates carbon monoxide and carbon dioxide, which can be dangerous if not diluted by fresh air. Always ensure adequate ventilation by leaving a door or window open in the same room.

Q: How long will the gas in my cylinder last?

A: This depends on how you use your heater. It is easy to calculate your gas consumption. Take the capacity of the gas cylinder in grams (i.e. 9000g for a 9kg cylinder) and divide it by the gas consumption of the heater, on your desired setting (refer to the Technical Data section in this manual (page 13). The answer to the calculation is the approximate number of hours that your heater will burn for.

Q: What do I do if I have an over-filled cylinder?

A: The best method to determine if your cylinder is over-filled is to weigh it. Subtract the 'tare' mass from the cylinder weight – this gives you the weight of your gas. If this gas weight exceeds your cylinder design weight (9kg) then return the cylinder to your gas supplier.

SPECIFICATIONS

Model	GHP40
Type of Gas	LPG
Operating pressure	2.8kPa
Injector size	1.90mm
Gas Consumption	946gr/hr at MAX
Heat output	13kW
<p>This appliance operates with a Bullnose 5/8" BSP left hand thread with a 2.8kPa SANS 1237 approved 1kg/hr flow rate regulator. Regulator supplied.</p>	



How to test if your cylinder is overfilled



<http://www.youtube.com/watch?v=YavsYE8nzCw&feature=plcp>

TROUBLE SHOOTING GUIDE

TROUBLE	CAUSE	REMEDY
Burner will not light	Pressure is low	Cylinder near empty. Refill LPG Cylinder.
	Opening blocked	Remove burner and clean it.
	Control not on HI	Turn Control Valve to HI.
	Thermocouple faulty	Replace Thermocouple.
	In poor location	Position properly and retry.

AFTER SALES SERVICE

MANUFACTURED FOR AND DISTRIBUTED BY
 Alva, a division of Stingray Accessory Manufacturers (Pty) Ltd.
 P.O. Box 30014
 Tokai, 7966
 Tel: 021 442 1540
 E-mail: info@stingray.co.za
www.alva.co.za
 [/alvagas](https://www.instagram.com/alvagas)
 www.facebook.com/AlvaGas

TOLL FREE NUMBER **086 100 ALVA (2582)**