

ALVA

FIRE TABLE

GFT005



Your world is better with Alva

- THIS IS A LOW PRESSURE APPLIANCE TO BE USED ONLY WITH A 2.8kPa SANS 1237 APPROVED REGULATOR SANS 1156 - APPROVED HOSE (REGULATOR FITTED AND SUPPLIED).
- FOR YOUR OWN SAFETY, PLEASE READ THIS MANUAL CAREFULLY AND ALWAYS OPERATE THIS PRODUCT ACCORDING TO THE INSTRUCTIONS.
- IT IS ILLEGAL AND DANGEROUS TO CHANGE OR MODIFY ANY PART OF THIS APPLIANCE.
- THIS PRODUCT IS DESIGNED FOR OUTDOOR USE.



APPROVED FOR USE IN
SOUTH AFRICA

Manufactured for **ALVA** A division of Stingray Accessory Manufacturers (Pty) Ltd | P.O. Box 30014, Tokai, 7966 | +27 21 442 1540
and distributed by: info@stingray.co.za | www.alva.co.za | TOLL-FREE NUMBER: 086 100 ALVA (2582)

 /alvagas

 /Alvagas

IMPORTANT SAFETY INFORMATION

CONGRATULATIONS

Thank you for purchasing your new ALVA Gas Fire Table, manufactured to high standards and tested for compliance to SANS 1539:2017.

The manufacturer and /or its agents and distributors will not be held responsible for injuries or damages caused by faulty or incorrect connections or use of the appliance.

- For outdoor use only. This fire table provides radiant and convection heat both efficiently and safely, using modern technology, without the need of a flue. This appliance consumes oxygen when in use and it is important that it is only used in a well ventilated area, for the efficient performance of the appliance and for the safety of the occupants of the area.
- On initial ignition of your new fire table, you can expect your fire table to burn erratically until it is “burned in”, within the first few hours of operation. During this period some smoke may be emitted from the unit, this should be no cause for concern.
- This fire table is designed for use with LPG only.
- Perform a leak test with a soapy solution to check gas connections as detailed on page 4:
 - After connecting a new cylinder
 - Upon re-assembly after disassembly



As with all gas appliances, misuse of this appliance or failure to fully follow these instructions may cause fire, injury or death.

Please read the instructions carefully before use.

The operator must understand all safety requirements as detailed in this manual before using the unit.

Retain this manual for future reference.

INDEX

WARRANTY	2
GENERAL INFORMATION	2
CONNECTING CYLINDER	3
LEAK TEST	4
REGULATOR & HOSE	4
OPERATION INSTRUCTIONS	5
FLASHBACK	6
OPERATING CHECKLIST	7
CHANGING YOUR CYLINDER	8
CARE & MAINTENANCE	8
TROUBLESHOOTING	10
SPECIFICATIONS	11
AFTER SALES SERVICE	11
EXPLODED VIEW	12
PARTS LIST	12
HARDWARE LIST	13
FIRE TABLE ASSEMBLY	14-22

KEY



Important information.



Cautions and warnings.



Danger.



Contact an approved ALVA technician.



Do It Yourself.

WARRANTY

PLEASE RETAIN YOUR PROOF OF PURCHASE FOR WARRANTY CLAIMS.

ALVA warrants this appliance to be free of defects in material and quality for a period of 12 months from date of original purchase. This warranty covers the intended use of this appliance – within a domestic setting and not for commercial or industrial purposes. Any damage caused by willful abuse, tampering, modification or unauthorized repair will not be warranted.

Please retain all packaging material, as items returned without original packaging material may be subject to a withholding fee. Where this appliance is found to be defective, damaged, broken, or does not work correctly for the intended purpose, you must return the appliance to the retailer from where it was purchased. The warranty will only be effected with valid proof of purchase. Failure to provide the proof of purchase will most likely result in the repair or service required being chargeable.

If you have any questions while setting up or using this Gas Fire Table please visit www.alva.co.za or call 086 100 ALVA (2582) or e-mail info@stingray.co.za

GENERAL INFORMATION

Before using this Gas Fire Table, please read through this manual and make sure you understand everything. If you are not sure, call **086 100 ALVA (2582)** or visit www.alva.co.za for help. This gas fire table is a safe and efficient appliance when used according to these instructions.

Reading and understanding this manual should give you a good indication of what to expect from your Gas Fire Table.

If this product is not what you want or need, please help Alva and the environment by not damaging or destroying any part of the packaging. Always keep your proof of purchase. Keep these instructions for future use. If you lose this copy, you can obtain a new copy from your dealer or online at www.alva.co.za.



Thank you for your purchase of this Gas Fire Table.



Please read these instructions carefully before use and keep them in a safe place, for future reference.

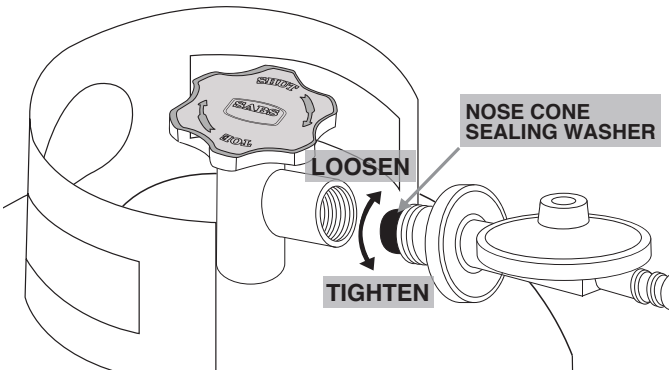


Failure to follow these instructions may result in serious bodily injury and/or property damage.

If you have any questions concerning assembly installation or operation, consult your local dealer/installer.

CONNECTING CYLINDER

- 1.) The control valve on the gas cylinder must be closed.
Make sure that the knob is turned clockwise.
- 2.) Check that the control knob on the gas fire table is turned off.
- 3.) Check that the regulator nose cone sealing washer is in place, secure and in good condition, see illustration below.
- 4.) Hold the regulator in one hand and insert the nipple into the valve outlet. Be sure that the nipple is centred in the valve outlet and tighten by hand. Use care - Do not cross thread the connection.
- 5.) Hand tighten the coupling nut  counter clockwise until it comes to a full stop. Firmly tighten by hand only. Do not use tools.
- 6.) To disconnect: Fully close the tank valve. Turn the coupling nut  clockwise until the regulator assembly detaches.



Failure to follow these instructions may result in serious bodily injury and/or property damage.

Never use Natural Gas in a unit designed for Liquid Petroleum Gas (LPG). LPG gas is not Natural Gas. The conversion or attempted use of Natural Gas in an LPG unit is dangerous and voids your warranty.



NOTE:

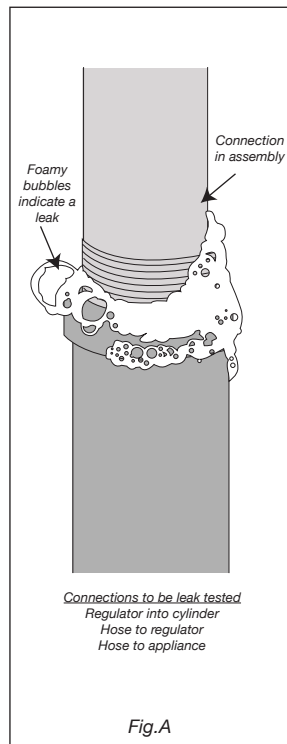
Use only an ALVA 9kg gas cylinder within the firetable.

Other makes of 9kg gas cylinders may not fit inside the firetable.

FOR USE OUTDOORS ONLY AND IN WELL VENTILATED AREAS. TO BE USED WITH A 2.8kPa SANS 1237 APPROVED REGULATOR WITH A MINIMUM DELIVERY CAPACITY OF 1kg/h WITH A SANS 1156-2 APPROVED HOSE. REGULATOR AND HOSE SUPPLIED.

LEAK TEST

The leak test must be carried out in a well-ventilated area, free from any flames or other sources of ignition.



- With the cylinder connected to the Fire Table, open the cylinder valve.
- Brush the connections (Fire Table to cylinder) with a solution of equal parts soap and water (must be foamy).
- A stream of bubbles forming indicates a gas leak. (See Fig.A)
- If bubbles appear, turn the cylinder valve OFF (clockwise) and disconnect the Fire table from the gas cylinder.
- Tighten the connection and retry the leak test.
- If you are unsure or if you cannot tighten the connection, place the cylinder outside in a cool, well-ventilated area and contact Alva on **086 100 ALVA (2582)**.
- A leak between the regulator and cylinder can lead to a high pressure fire, which is very dangerous and can result in extensive injury or even death.



FOR YOUR SAFETY IF YOU SMELL GAS

- Turn off the gas supply at the cylinder.
- Extinguish all naked flames. **DO NOT** operate any electrical appliances.
- Ventilate the area.
- Check for leaks (see LEAK TEST)
- If odour persists, contact your dealer or local gas supplier immediately.



DO NOT attempt to use the Fire Table if a leak is present.

NEVER test for leaks with an open flame.

REGULATOR AND HOSE

Use only regulators and hose approved for LPG in accordance to the South African National Standards. The use of the wrong regulator or hose is unsafe; always check that you have the correct items before operating the fire table.

The length of the hose must be 1.5 meters (maximum). Worn or damaged hose must be replaced. Ensure that the hose is not obstructed, kinked, or in contact with any part of the fire table other than at its connection. The hose should not be twisted or kinked when attached to the gas cylinder. No part of the hose should touch any part of the appliance

How to do
a leak test



<http://www.youtube.com/watch?v=8LpZ1B0m23Y&feature=plcp>

OPERATION INSTRUCTIONS

BEFORE TURNING THE GAS SUPPLY ON:

- 1.) Your fire table is designed and approved for outdoor use only. **DO NOT** use it inside a building, garage or any other enclosed areas.
- 2.) Make sure that the surrounding areas are free of combustible materials, gasoline and any other flammable vapours or liquids.
- 3.) Ensure that there is no obstruction to air ventilation. Be sure that all gas connections are tight and there are no leaks present.
- 4.) Ensure that the cylinder cover is clear of debris. Be sure that any components removed during assembly or servicing are replaced and fastened prior to starting.

BEFORE LIGHTING:

- 1.) Fire table should be thoroughly inspected before each use, and be serviced by a qualified person annually. If relighting a hot fire table, always wait at least 5 minutes before doing so.
- 2.) Inspect the hose assembly for any evidence of excessive abrasion, cuts, or wear. Suspected areas should be leak tested - see page 4. If the hose leaks, it must be replaced prior to operation. Only use the replacement hose specified by the manufacturer.
- 3.) Make sure the gas cylinder is placed inside locating ring and securely fastened by lock nut, see step 10 on page 21.
- 4.) Place lava rocks in tray around burner tube as detailed in step 8 on page 20.

LIGHTING:

- 1.) Turn the control knob to the "OFF" (o) position (*Fig. B*).
- 2.) Open gas cylinder valve 1½ turns anti-clockwise.
- 3.) Press and turn burner control knob anti-clockwise to the "LOW" position (Figure C). This will light the burner (you will hear one click noise). Continue to press the control knob for 5 seconds after ignition.
- 4.) If ignition does not occur within 5 seconds, turn the burner control to "OFF", wait 5 minutes for gas to clear and repeat the lighting procedure. If burner still does not light, refer to the Troubleshooting Section. (See Page 10).
- 5.) Once the appliance is lit, the flame height can be changed by adjusting the burner control knob between "High" and "Low".

NOTE: If the burner fails to remain lit, all valves should be closed and a waiting period of at least 5 minutes should pass before attempting to light again.



Lighting operation should comply with the lighting instructions section. Failing to do this will cause serious injury or explosion.

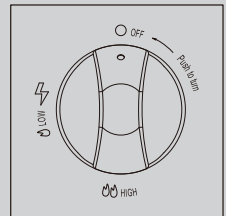


Fig. B

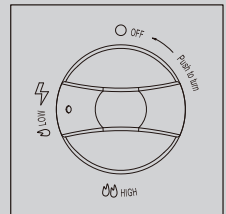


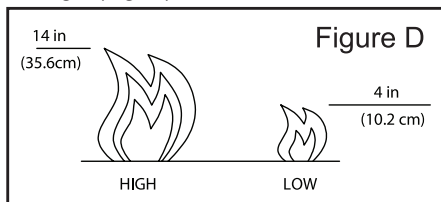
Fig. C

WHEN FIRE TABLE IS BURNING:

Burner will display tongues of blue and yellow flames. These flames should not produce black smoke, if so this indicates an obstruction of airflow through the burner. If excessive black smoke is detected, turn off the gas cylinder and fire table, call 086 100 ALVA (2582) or e-mail info@stingray.co.za

Always check burner flames periodically to ensure correct operation. Flames should be mostly yellow with some blue for the best performance.

When the fire table is ON, the normal flame from High to Low is similar to the below image. (Fig. D).



NOTE:

DO NOT COVER THE BURNER AND LAVA ROCKS UNLESS THE FIRE IS OUT AND COMPLETELY COOLED DOWN.

RE-LIGHTING:

- 1.) Turn control knob "OFF" (o).
- 2.) Repeat the "Lighting" steps on page 5.
- 3.) When relighting a hot fire table, always wait at least 5 minutes before doing so.

TURNING OFF THE BURNER:

- 1.) Make sure the control knob is in the "OFF" (o) position and then turn the cylinder valve off.
- 2.) Wait 45 minutes until the appliance is cool.
- 3.) Disconnect the hose and regulator from the cylinder.
- 4.) Store the cylinder in a safe and secure location.

FLASHBACK (FLAME IN BURNER TUBE)

In the event of flash back whilst the Fire Table is in use, turn all the controls and the cylinder valve to the 'OFF' position. Wait 5 minutes before attempting to relight the Fire Table. If the problem persists, check for blocked ventury ports by removing the burner and cleaning with compressed air or with a pipe cleaner. Replace burner correctly.

If problem persists do not try to rectify the problem yourself as this could result in serious injury and/or property damage.

Store the appliance in a clean and dry environment. Do not store your gas cylinder indoors. Store in a well ventilated area away from direct sunlight or an electrical source.



FOR YOUR SAFETY

Be careful when attempting to manually ignite this fire table. Holding in the control knob for more than 10 seconds before igniting the gas - will cause a ball of flame upon ignition.

When manually lighting, **ALWAYS** light BBQ match/lighter before switching on gas.



FOR YOUR SAFETY

Fire table will be hot after use. Handle with extreme care.



BEFORE REMOVING THE BURNER:

All the burner lava rocks must be removed from the Fire Table and the steel plate cleaned of debris and dust."

OPERATING CHECKLIST

For a safe and pleasurable heating experience, perform this check before each use.

BEFORE OPERATING:

- 1.) You are familiar with the entire owner's manual and understand all precautions noted.
- 2.) All components are properly assembled, intact and operable.
- 3.) No alterations have been made.
- 4.) All gas connections are secure and do not leak.
- 5.) Wind velocity is below 15 km/h.
- 6.) Unit will operate at a reduced efficiency below 4°C.
- 7.) Fire table is situated outdoors (Outside any enclosure).
- 8.) There is adequate fresh air ventilation.
- 9.) Fire table is away from gasoline or other flammable liquids or vapours.
- 10.) Fire table is away from windows, air intake openings, sprinklers and other water sources.
- 11.) Combustible/Flammable materials must be at least 90cm away from the sides and also not above the fire table.
- 12.) Fire table is on a hard and level surface.
- 13.) There are no signs of spider or insect nests.
- 14.) All burner passages are clear.
- 15.) All air circulation passages are clear.
- 16.) Children and adults should be alerted to the hazards of high surface temperatures and should stay away to avoid burns or clothing ignition.
- 17.) Young children should be carefully supervised when they are in the area of the fire table.
- 18.) Clothing or other protective materials should not be hung from, or placed on or near the fire table.
- 19.) Any guard or other protective device removed for servicing the fire table must be replaced prior to operating the fire table.
- 20.) Repairs should be done by a qualified service technician. The fire table should be inspected before every use and serviced annually by a qualified service technician.
- 21.) More frequent cleaning may be required as necessary. It is imperative that the control compartment, burner and circulating air passageways of the fire table are kept clean.

After Operation:

- 1.) Gas control valve is in the OFF (o) position.
- 2.) Gas cylinder valve is OFF.
- 3.) Disconnect hose and regulator from the gas cylinder.

CHANGING YOUR CYLINDER

Make sure the cylinder valve is closed (by turning it clockwise). Allow the fire table to fully cool before replacing the cylinder.

ALWAYS check that the regulator-sealing washer (nose cone) is intact and in place before reattaching the regulator to a cylinder, see illustration on page 3. DO NOT attempt to remove the regulator while the fire table is on or if the cylinder valve is not closed.

CARE AND MAINTENANCE

To enjoy years of outstanding performance from your fire table, make sure that you perform the following maintenance activities on a regular basis.

KEEP EXTERIOR SURFACES CLEAN:

- 1.) Use warm soapy water for cleaning. Never use flammable or corrosive cleaning agents.
- 2.) While cleaning your fire table, be sure to keep the area around the burner dry at all times. Do not submerge the control valve assembly. If the gas control is submerged in water, do NOT use it. It must be replaced.
 - a.) Keep the appliance area clear and free from combustible materials, gasoline and other flammable vapours and liquids.
 - b.) Do not obstruct the flow of combustion and ventilation air.
 - c.) Keep the ventilation opening(s) of the cylinder enclosure free and clear from spiders.
- 3.) Air flow must be unobstructed. Keep controls, burners and circulating air passageways clean.

Signs of possible blockage include:

 - Gas odour with extreme yellow tipping of the flame.
 - Fire table does NOT reach the desired temperature.
 - Fire table glow is excessively uneven.
 - Fire table makes popping noises.
 - Spiders and insects can nest in the burner or orifices. This dangerous condition can damage the fire table and render it unsafe for use. Clean the burner holes by using a heavy-duty pipe cleaner. Compressed air may help clear away smaller particles.
 - Carbon deposits may create a fire hazard. Clean burner and ignition screen with warm soapy water if any carbon deposits develop.



WARNING

*FOR YOUR SAFETY
DO NOT touch or
move gas appliance
for at least 45 minutes
after use.
Allow all burner
elements to cool
before touching.*



*How to test if
your cylinder
is overfilled*



*[http://www.
youtube.com/
watch?v=Ya
vsYE8nzCw
&feature=plcp](http://www.youtube.com/watch?v=YaVsYE8nzCw&feature=plcp)*

- 4.) Inspect the burner at intervals recommended by the manufacturer. The burner must be replaced prior to the appliance being put into operation if it is evident that the burner is damaged. Only use the replacement burner that is specified by the manufacturer.

NOTE: *In a salt-air environment (such as near the ocean), corrosion occurs more quickly than normal. Frequently check for corroded areas and repair them promptly.*

For the best flame pattern & to prevent soot build-up when replacing the lava rocks in the fire table, use the placement sequence & positioning as detailed on page 20.

STORAGE:

BETWEEN USES:

- Turn control valve and cylinder valve off.
- Disconnect the hose and regulator from the gas cylinder.
- Store fire table upright in a area sheltered from direct contact with the elements (such as rain, sleet, hail, snow, dust and debris).
- If desired, cover the fire table to protect exterior surfaces and to help prevent build-up in the air passages.

NOTE: Wait until fire table is cool before covering.

DURING PERIODS OF EXTENDED INACTIVITY OR WHEN TRANSPORTING:

- Turn control valve and cylinder valve off.
- Disconnect the hose and regulator - move the gas cylinder to a secure, well ventilated location outdoors.
- Store fire table upright in an area sheltered from direct contact with the elements (such as rain, sleet, hail, snow, dust and debris).
- If desired, cover the fire table to protect exterior surfaces and to help prevent build-up in the air passages. Never leave the gas cylinder exposed to direct sunlight or excessive heat.

NOTE: Wait until fire table is cool before covering.

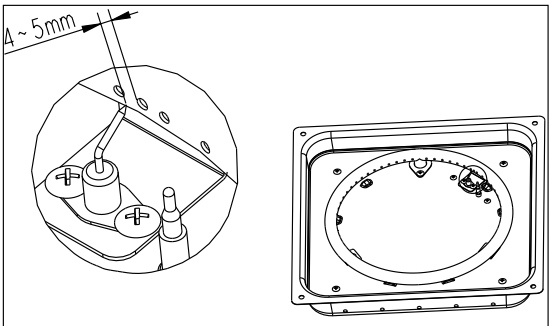
SERVICE:

Only a qualified service technician should repair the gas tubes and associated components.

CAUTION:

- Always allow fire table to cool before attempting to service.
- Never place a cover on the fire table when in use. Ensure that the fire table has cooled before placing cover over the table.

TROUBLE SHOOTING

PROBLEM	POSSIBLE CAUSE	CORRECTIVE ACTION
Burner flame is low	Gas pressure is low	Turn cylinder valve OFF and replace cylinder
	Outdoor temperature is less than 4 °C and tank is less than ¼ full	Use a full cylinder
	Control knob fully ON	Check burner and orifices for blockage
Carbon build-up Thick black smoke	Dirt or film on ignition screen	Clean ignition screen
	Blockage in burner	Remove blockage and clean burner inside and outside
	Check lava rocks placed correctly	See page 20 for correct lava rock placement
Burner won't light	LPG cylinder is frosted over	Wait until the LPG cylinder warms up and becomes unfrosted
	Blockage in orifice	Clear blockage
	Control knob is not in ON position	Turn control knob to ON
	The distance between elctrode ignition pin and flame orifice is too large	Adjust the distance between the ignition pin and flame orifice to be 4-5mm in case of ignition failure
		

SPECIFICATIONS

Model	GFT005
Type of Gas	LPG
Pressure - kPa	2.8 kPa
Gas Consumption at Max	1080 gr/hr
Heat Output	15 kW
Jet Size	1.88mm
WARNING: ACCESSIBLE PARTS MAY BE VERY HOT. KEEP YOUNG CHILDREN AWAY.	
READ THE INSTRUCTION LITERATURE BEFORE USING THE APPLIANCE. DO NOT MOVE THE APPLIANCE WHILE IN USE.	

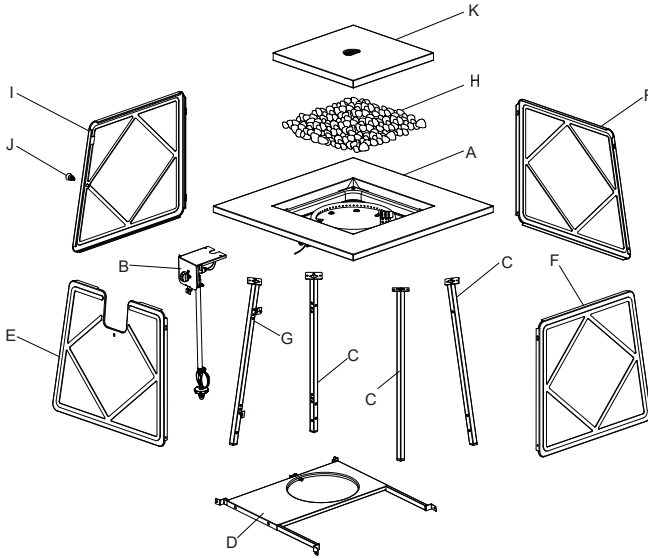
AFTER SALES SERVICE

MANUFACTURED FOR AND DISTRIBUTED BY ALVA
A division of Stingray Accessory Manufacturers (Pty) Ltd
P.O. Box 30014
Tokai, 7966
Tel: 021 442 1540
E-mail: info@stingray.co.za
www.alva.co.za
 [alvagas](#)
 www.facebook.com/AlvaGas

TOLL FREE NUMBER **086 100 ALVA (2582)**

***SPARES** are available from our online store
www.stingray.co.za

EXPLODED VIEW



TOOLS NEEDED: (NOT INCLUDED)

Philips screwdriver



Estimated time for assembly: 30 minutes

PARTS LISTS

PART	DESCRIPTION	QUANTITY
A	Table Top Assembly	1
B	Control Panel Assembly	1
C	Leg without Magnet	3
D	Cylinder Holder Assembly	1
E	Front Panel	1
F	Side Panel	2
G	Leg with Magnet	1
H	Lava Rock	1
I	Door	1
J	Door Handle	1
K	Cover Lid	1

HARDWARE LISTS

Hardware Contents (shown actual size)

AA



M5 x 10 Bolt
Qty.32

BB



M4 x 10 Flat Bolt
Qty.4



Before beginning assembly of this product, make sure that all the parts are present.

Compare all parts and hardware to the list provided.

If any parts are missing or damaged, DO NOT attempt to assemble the product.

Contact our Customer Care Centre.

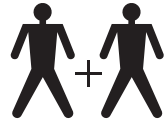
**TOLL FREE No:
086 100 ALVA (2582)**

This unit is Heavy. Two people required for assembly.

Some Parts may contain sharp edges, please wear protective gloves if necessary.

Read and follow all instructions, safety statements and warnings before attempting to assemble and use this product.

FIRE TABLE ASSEMBLY



Choose a good, cleared assembly area and get a friend to help you assemble your gas fire table. Lay cardboard down to protect gas fire table finish and assembly area.

Step 1.1

With assistance, place the table top assembly (A) upside down on a soft, level surface. Attach the control panel assembly (B) to the table top assembly (A) by first inserting the tip of the valve into the end of the burner tube. Next use (2) M5 x 10 bolts (AA) to secure the control panel assembly (B) to the table top assembly (A) as position 1 illustrated.

Hardware Used

AA M5 10 Bolt

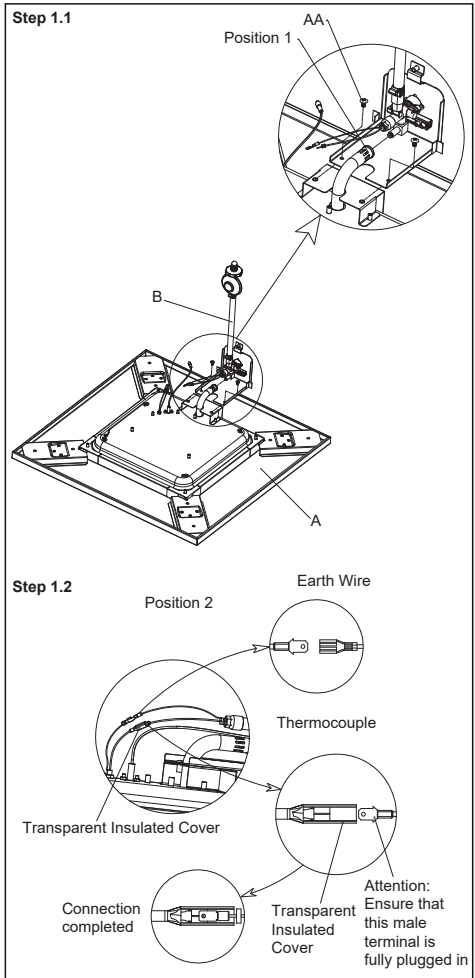


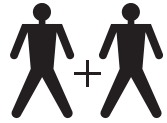
Step 1.2

Connect control panel's earth wire and thermocouple wire onto the bottom of fire bowls as position 2 illustrated.

Note:

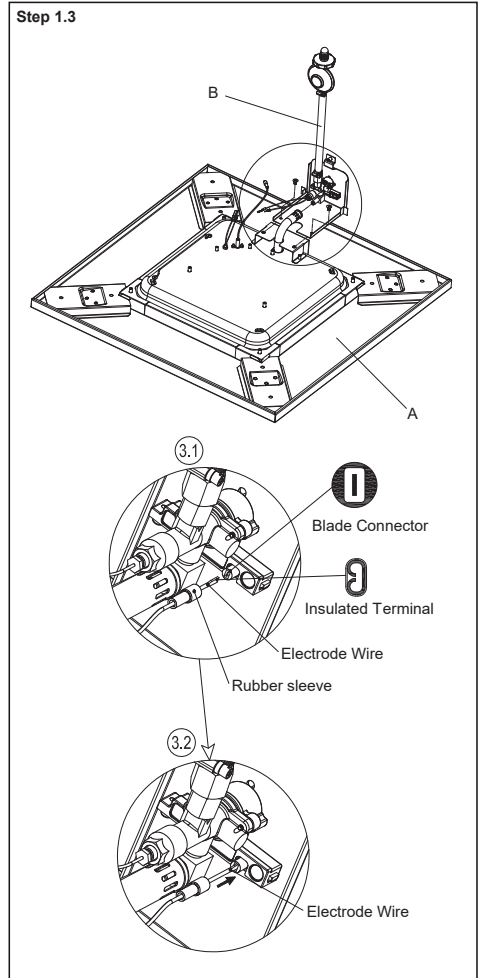
Make sure the connection is secured and protected by the transparent insulated cover.

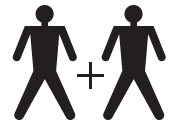




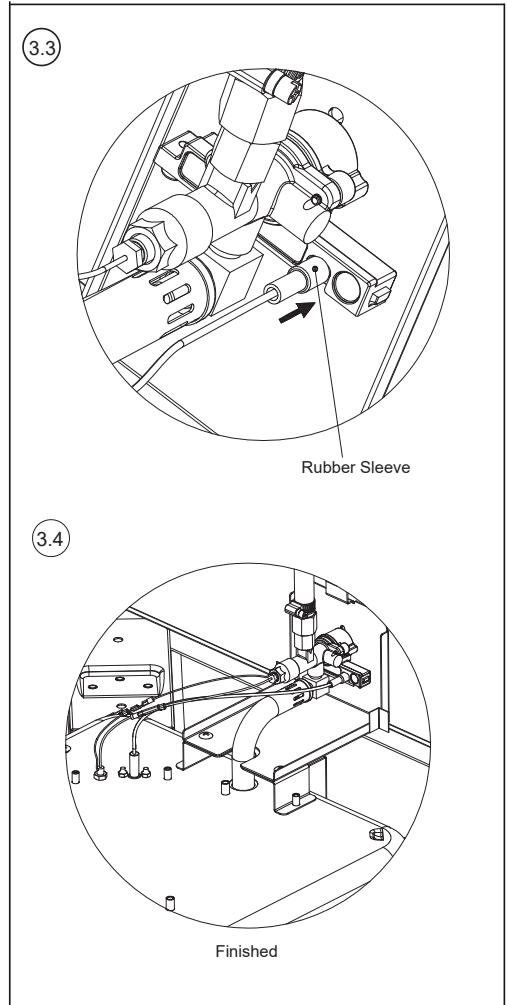
Step 1.3

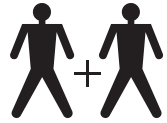
Insert bottom of fire bowls electrode wire into the blade connector on the control panel as position 3.1 & 3.2 illustrated.





Finally, insert the rubber sleeve to cover the electrode wire (see position 3.3 illustrated), then finished as 3.4.





Step 2

Attach the leg with magnet (G) to the table top assembly (A) with (3) M5 x 10 bolts (AA), then attach (3) legs without magnet (C) to the table top assembly (A) with (9) M5 x 10 bolts (AA) as illustrated.

Note:

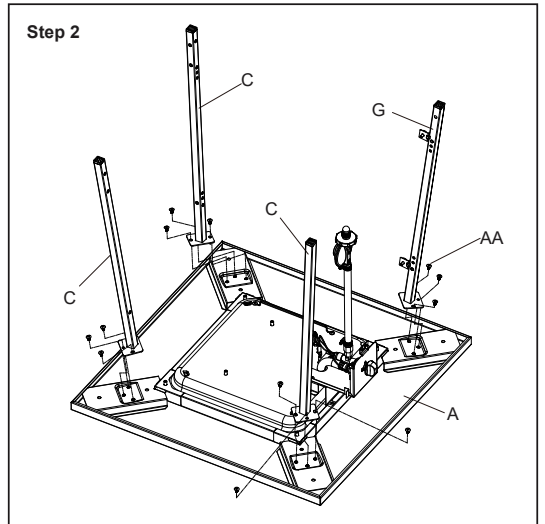
Make sure to install the leg with magnet (G) to the correct position as illustrated, or will not be able to install door.

Hardware Used

AA M5 x 10 Bolt



12 pcs



Step 3

Connect the control panel assembly (B) to the front panel (E) with (1) M5 x 10 bolt (AA) first, then attach the front panel (E) to the leg without magnet (C) and leg with magnet (G) with (4) M5 x 10 bolts (AA) as illustrated.

Note:

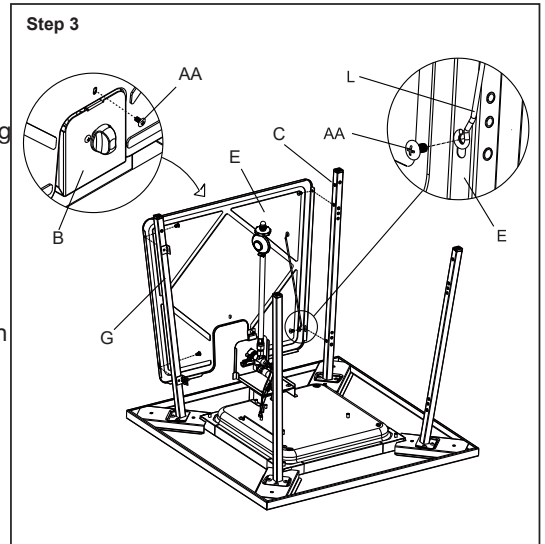
Remember to attach the cross support (L) on the front panel (E) when tightening the lower end of the leg without magnet (C) with M5 x 10 bolt (AA) as illustrated.

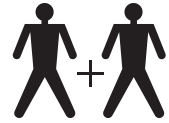
Hardware Used

AA M5 x 10 Bolt



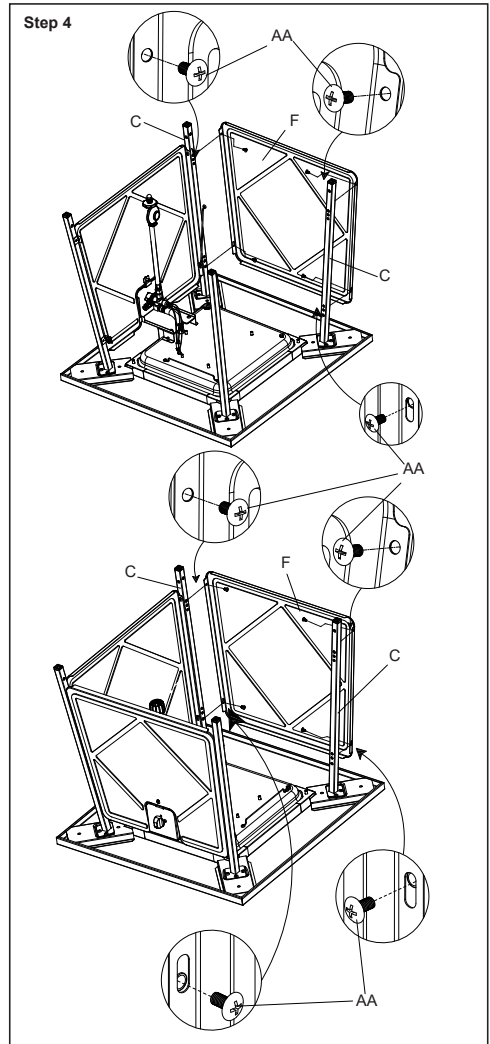
5 pcs





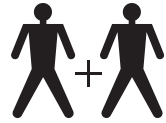
Step 4

Attach (2) side panels (F) to the legs without magnet (C) with (8) M5 x 10 bolts (AA) as illustrated.



Hardware Used
AA M5 x 10 Bolt

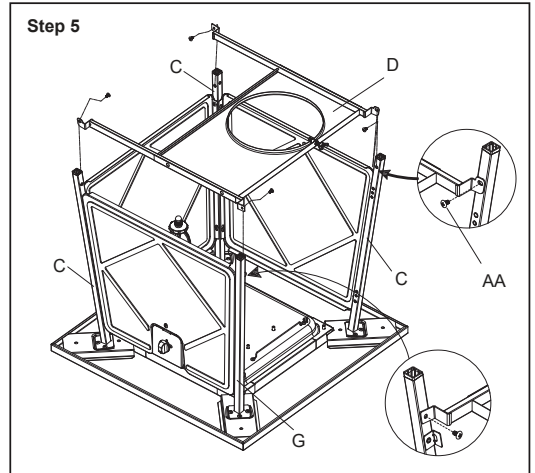




Step 5

Attach cylinder holder assembly (D) to the legs without magnet (C) and leg with magnet (G) with (4) M5 x 10 bolts (AA) as illustrated.

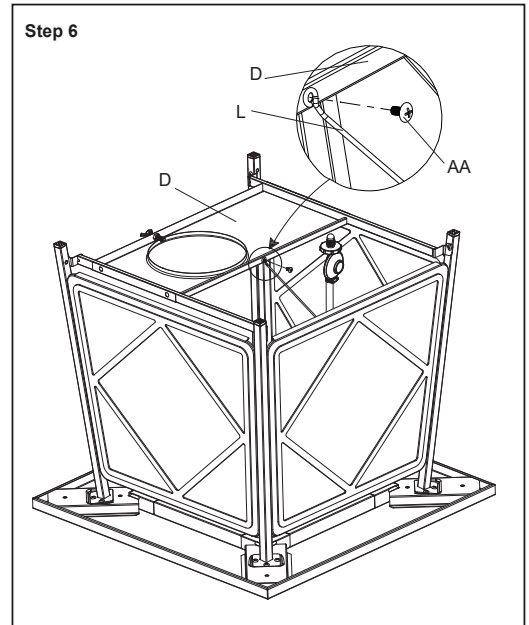
Hardware Used
AA M5 x 10 Bolt

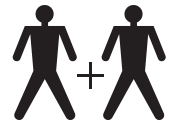


Step 6

Attach the cross support (L) to the cylinder holder assembly (D) with (1) M5 x 10 bolt (AA) as illustrated.

Hardware Used
AA M5 x 10 Bolt





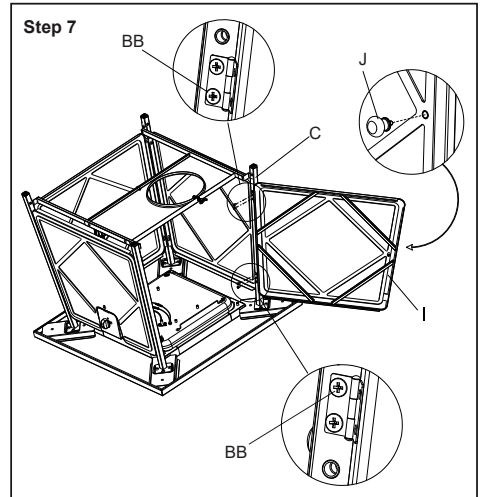
Step 7

Screw the door handle (J) to the door (I), then attach the door (I) to the leg without magnet (C) with (4) M4 x 10 flat bolts (BB) as illustrated.

Note: With the help of a friend, turn the gas fire pit into upright position after this step is completed.

Hardware Used

BB M4 x 10 Flat Bolt



Step 8

Put the lava rocks (H) on the burning area of the table top assembly (A).

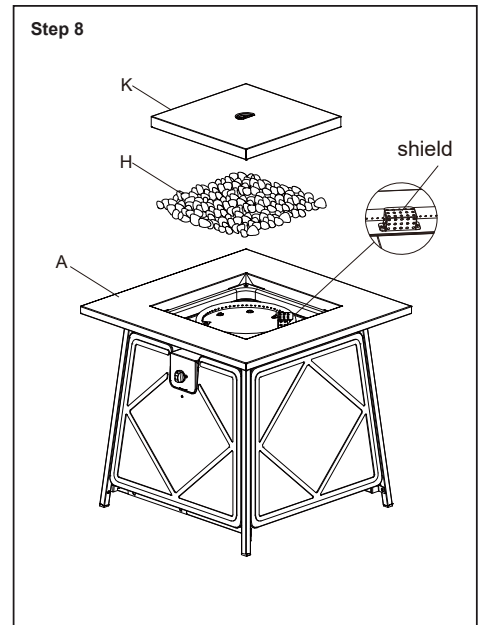
Note:

To avoid ignition failure, do not cover the shield with lava rocks.

Place the cover lid (K) onto the table top assembly (A) when not in use.

WARNING: Failure to position the parts in accordance with these diagrams or failure to use only parts specifically approved with this appliance may result in property damage or personal injury.

WARNING: If exposed to water, lava rocks may pop when fire is ignited. To prevent, please replace cover lid after each use.

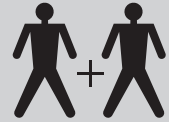


STEP 9

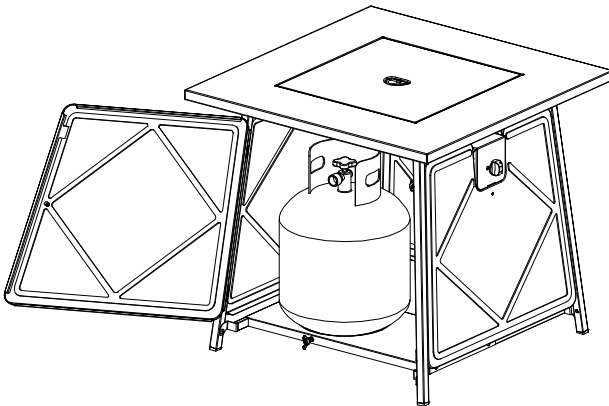


Use only a 9kg cylinder (not included) with this product which fits the bullnose regulator and compliant hose supplied with the fire table.

NOTE: A dented, rusted or damaged cylinder may be hazardous and should be checked by your cylinder supplier. Never use a cylinder with a damaged valve connection.

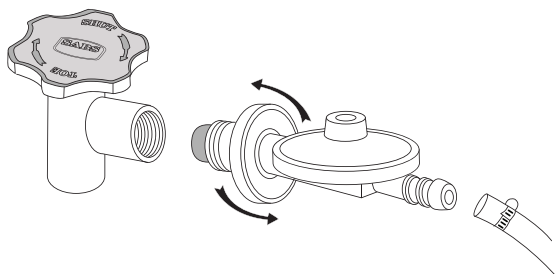


STEP 10



Place LPG gas cylinder (not included) into hole in the metal plate within the fire table. Make sure the valve outlet of the cylinder is facing outward.

STEP 11



Turn the valve on the cylinder clockwise to close the LPG cylinder. Attach the preassembled regulator from the table top (B) to the cylinder valve by turning the regulator coupling nut anticlockwise. Make sure it is fastened securely and tighten connections by hand only.

Perform a leak test as detailed on page 4.

