

# ALVA AIR

50CM CEILING FAN WITH LED LIGHT  
& REMOTE CONTROL

WHITE - ACS901 | BLACK - ACS902



- PLEASE READ THIS MANUAL CAREFULLY BEFORE USE AND ALWAYS OPERATE THIS PRODUCT ACCORDING TO THE INSTRUCTIONS
- RETAIN THIS MANUAL FOR FUTURE REFERENCE
- IT IS ILLEGAL AND DANGEROUS TO CHANGE OR MODIFY ANY PART OF THIS APPLIANCE

Manufactured for  
and distributed by:

**ALVA AIR**

A division of Stingray Accessory Manufacturers (Pty) Ltd | P.O. Box 30014, Tokai, 7966  
+27 21 442 1540 | info@stingray.co.za | www.alva.co.za  
TOLL FREE NUMBER: 086 100 ALVA (2582)

 /AlvaGas

## IMPORTANT SAFETY INFORMATION

- Please read these instructions carefully before using your ceiling fan. The operator must understand all safety requirements as detailed in this manual before using the unit.
- The manufacturer's warranty may be voided by incorrect installation or use of this product. If you have any queries regarding these instructions, contact your local dealer for clarification before using your ceiling fan.
- Always remove unit from all packaging materials prior to installation and use.
- Failure to follow the manual's instructions could result in damage or serious injury.
- When using electrical appliances, in order to reduce the risk of fire, electric shock, and/or injury, these basic safety precautions should always be followed.
- This product is intended for general domestic and indoor use only.
- Do not use the product for any other purpose.
- Electrical products can cause death, injury, or damage to property. Installation of the fan must be carried out by a qualified electrician, in accordance with SANS 10142. On completion of installation, ensure that the Certificate of Compliance is updated.
- Before connecting this fan, ensure that voltage indicated on the rating label corresponds with the mains voltage in your home.
- Make sure you have a location selected for your fan that allows clear space for the blades to rotate, and at 2.3 m of clearance between the floor and the fan blade tips. The fan should be mounted at least 75 cm from walls or other upright structures.
- The ceiling support joist used must be securely mounted, and capable of supporting at least 15 kg.
- After installation is complete, check that all connections are absolutely secure.

*Thank you for your purchase of this ceiling fan. Please read these instructions carefully before use and keep them in a safe place, for future reference.*



**WARNING:**  
*Do not insert objects in the path of the blades.*

*For indoor use only*



*Assembly required*

- To reduce the risk of electrical shock and fire, do not use this fan with any variable speed switches.
- Do not operate the reverse switch until the fan has come to a complete stop.
- Always switch off the distribution board isolator when cleaning the ceiling fan.
- Never insert fingers or any other object through the fan guards. Never insert objects into any opening of the product.
- Do not attempt to open any part of the motor housing, as a risk of electrical shock may exist.
- Do not operate product if the power cord is cut, damaged, or if the wires are exposed. Contact 086 100 ALVA (2582) or an Authorised Service agent to replace the power cord.
- Do not attempt to examine or repair this product yourself. Qualified service personnel should perform any servicing.
- This product is intended for indoor, non-commercial, non-industrial household use only.
- This appliance can be used by children aged from 8 years and above and persons with reduced physical, sensory or mental capabilities or lack of experience and knowledge if they have been given supervision or instruction concerning use of the appliance in a safe way and understand the hazards involved.
- Children should not play with the appliance. Cleaning and user maintenance should not be carried out by children without supervision.
- Keep the appliance and its cord out of reach of children less than 8 years.
- To protect against electric shock, do not immerse main parts of the product, cord or plug in water or other liquids.
- Do not remove the guard for cleaning or maintenance.

## WARRANTY

PLEASE RETAIN YOUR PROOF OF PURCHASE FOR WARRANTY CLAIMS.

ALVA warrants this appliance to be free of defects in material and quality for a period of 12 months from date of original purchase. This warranty covers the intended use of this appliance - including home or domestic use.

Any damage caused by willful abuse, tampering, modification or unauthorized repair will not be warranted.

Please retain all packaging material, as items returned without original packaging material may be subject to a withholding fee. Where this appliance is found to be defective, damaged, broken, or does not work correctly for the intended purpose, you must return the appliance to the retailer from where it was purchased.

The warranty will only be effected with valid proof of purchase. Failure to provide the proof of purchase will most likely result in the repair or service required being chargeable.

If you have any questions while setting up or using this Ceiling Fan, please visit [www.alva.co.za](http://www.alva.co.za) or call 086 100 ALVA (2582) or e-mail [info@stingray.co.za](mailto:info@stingray.co.za)

## GENERAL INFORMATION

Before using this Ceiling Fan, please read through this manual and make sure you understand everything. If you are not sure, call **086 100 ALVA (2582)** or visit [www.alva.co.za](http://www.alva.co.za) for help.

Reading and understanding this manual should give you a good indication of what to expect from your ceiling fan.

Always keep your proof of purchase. Keep these instructions for future use.

If you lose this copy, you can obtain a new copy from your dealer or online at [www.alva.co.za](http://www.alva.co.za)

## INDEX

PARTS LIST	2
TOOLS AND MATERIALS REQUIRED	2
INSTALLATION	2
OPERATING THE FAN	4
CLEANING AND MAINTENANCE	5
DISPOSAL	6
TROUBLE SHOOTING	6
SPECIFICATIONS	7
AFTER SALES SERVICE	7

### KEY

Notes marked with the following :



Contain important information .

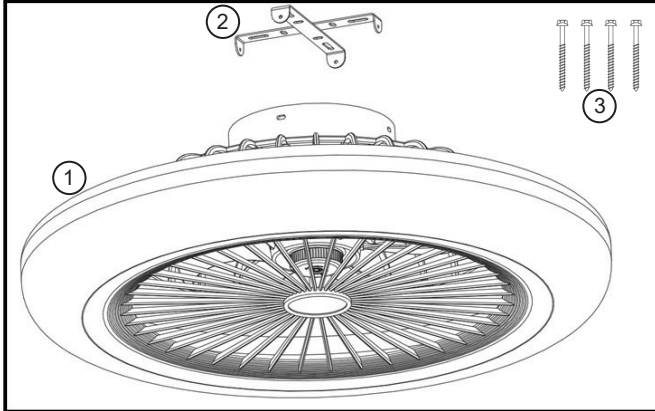
Notes marked with the following :



Contain cautions and warnings.

## PARTS LIST

1. Fan body
2. Hanging bracket
3. Fitting Screws



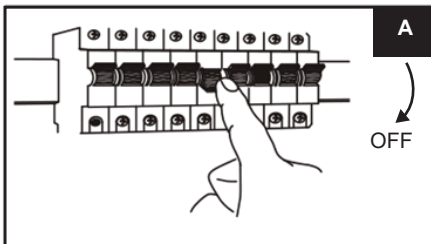
## TOOLS AND MATERIALS REQUIRED

- Phillips screw driver
- Blade screw driver
- Adjustable pliers or wrench
- Step Ladder
- Wire cutter
- Electrical tape

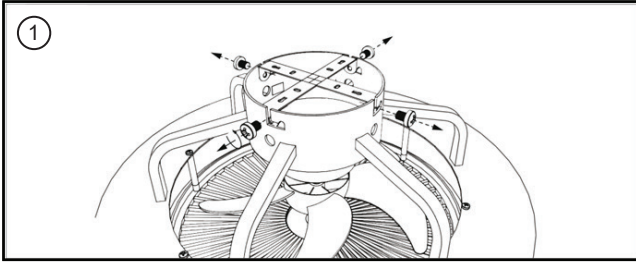


## INSTALLATION

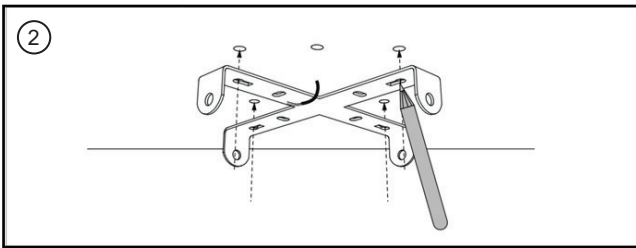
Before commencing installation ensure relevant Distribution Board Isolator is OFF.



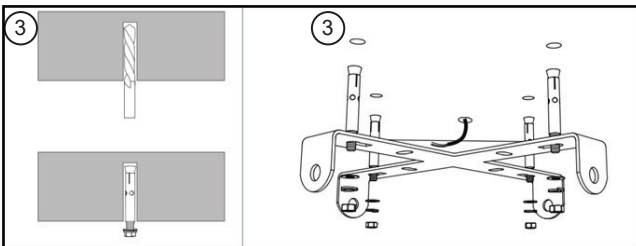
1. Remove the mounting bracket from the ceiling fan.



2. Place the mounting bracket in position on the ceiling and mark the holes.



3. Install mounting bracket by screwing into place.



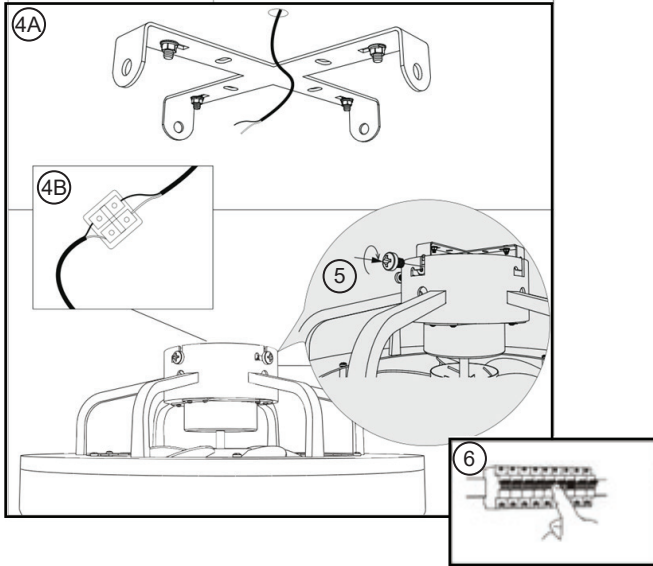
4. Alva recommends the appointment of a qualified electrician who can carry out the following steps.

Connect the wiring using a connector block, make sure all wiring is securely fastened.

Wrap electrical tape around electrical connection.

This appliance is Double Insulated, meaning no earth connection is required.

5. Hang the ceiling fan and screw onto the mounting bracket with the side screws. Rotate fan so it rests on screws and secure tightly.

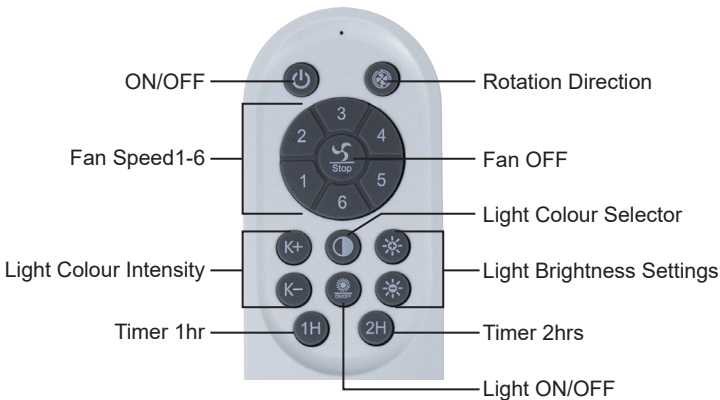


6. Switch ON Distribution Board Isolator.

## OPERATING THE FAN

Your fan is supplied with a radio frequency remote control unit.

The fan does not have a pull switch for speed control, the fan can only be controlled by the remote control supplied.



*Requires 2 x AAA batteries. Sold separately.*



The ceiling fan can be operated as a fan only, a light only, or fan and light simultaneously.

### Fan Speed

The fan has 6 speed settings, 1 being slowest and 6 maximum speed. Press the Fan stop button to stop fan.

### Fan Rotation Direction

The fan incorporates a forward and reverse button.

When the airflow is directed downwards, this is the best for cooling in Summer.

When the airflow is directed upwards, this is best for winter operation, and can assist in moving heated air around the room.

### Light

Use light ON/OFF button to activate.

The built in LED light can be adjusted to 3 different white light colours: Bright white, Cool white and Warm white, using Light Colour Selector button.

The light colour intensity can be adjusted with (K+) or (K-) buttons to achieve desired effect.

The light brightness can be adjusted from maximum to minimum using the 2x brightness buttons.

### Timer

The ceiling fan has an off timer which can be set to 1hr or 2hrs.

## CLEANING AND MAINTENANCE

- The fan's natural movements may cause some connections to work loose. A clicking or rattling noise is a certain sign of loosening screws. Check the support connections and brackets, once a year, and tighten all screws as necessary.
- The appliance and power cord must not be immersed in water or other liquids when you are cleaning them. Clean them with a dry cloth.
- If the ceiling fan is very dirty, the outside of the appliance can be wiped carefully with a moist cloth and then dried carefully. Make sure no moisture penetrates into the interior of the appliance.



*Before cleaning the Ceiling Fan always switch the relevant Distribution Board Isolator OFF, to prevent injury or electric shock.*

- Do not use any harsh cleaners, steel brushes, scouring powder or other hard objects to clean the appliance as these can cause scratches on the surfaces.
- Clean the appliance regularly.
- Never use solvents, benzene or oil-based cleaners as these can damage the housing.
- Re-tighten visible screw connections on the appliance regularly in order to ensure that the device is functioning properly.
- Motor has permanently lubricated bearings, no need to oil.

## DISPOSAL

### Used electric appliances

1. If you do not require your electrical appliance any longer, dispose of it at a recycling depot for used electric appliances.
2. Used electric devices must not be disposed of with normal household rubbish.

### Further disposal instructions:

1. Return the electrical appliance in such a condition that its later re-use or recycling is not adversely affected.
2. If applicable, batteries must be removed in advance and the destruction of parts which contain fluids must be avoided.
3. Electrical appliances can contain harmful substances. Improper handling or damage to the appliance can lead to health problems or water or ground contamination, when the appliance is recycled later.

## TROUBLE SHOOTING

### Fan Will Not Start:

- Check all fuses or circuit breakers. Replace if missing.
- Turn off electrical power and check all wire connections to fan and in switch housing.
- Check batteries in remote control and replace if necessary.



*Should you experience problems with this Ceiling Fan, carry out the necessary checks as per the Trouble Shooting Guide.*

*If you are still unable to correct the problem with the information in this guide, contact your nearest dealer or ALVA: 086 100 (ALVA) (2582) or e-mail [info@stingray.co.za](mailto:info@stingray.co.za)*

### Fan Is Noisy:

1. Always allow a few days “running” time for any new fan at medium or high speed. Try to diagnose the exact location of the noise by listening carefully from several sides (blades, motor, etc.).
2. Make sure all screws in the fan assembly are tight and properly threaded. If not, loosen and re-tighten. Tighten these screws at least once a year because they may loosen slowly over time and cause a clicking noise.
3. Make sure the mounting bracket is installed snugly to ceiling and fan.
4. Make sure wire connector block and fan housing are not rattling against each other or against wall of housing .Wrap with electrical tape if necessary.

### SPECIFICATIONS

Model	ACS901 & ACS902
Description	50cm Ceiling Fan
Voltage	220-240V ~ 50Hz
Input Power Fan	25W
Input Power Light	36W
Insulation	Class II
Any modification to the Ceiling Fan may cause injury or property damage.	
Any modification to, or incorrect installation of, Ceiling Fan, will invalidate the warranty on this appliance.	

### AFTER SALES SERVICE

MANUFACTURED FOR AND DISTRIBUTED BY  
Alva Air, a division of Stingray Accessory Manufacturers  
(Pty) Ltd.

P.O. Box 30014

Tokai, 7966

Tel: 021 442 1540

E-mail: [info@stingray.co.za](mailto:info@stingray.co.za)

[www.alva.co.za](http://www.alva.co.za)

 [www.facebook.com/AlvaGas](https://www.facebook.com/AlvaGas)

TOLL FREE NUMBER

**086 100 ALVA (2582)**