

ALVA AIR

40cm MATT BLACK DRUM PEDESTAL FAN

ACS207



- PLEASE READ THIS MANUAL CAREFULLY BEFORE USE AND ALWAYS OPERATE THIS PRODUCT ACCORDING TO THE INSTRUCTIONS
- RETAIN THIS MANUAL FOR FUTURE REFERENCE
- IT IS ILLEGAL AND DANGEROUS TO CHANGE OR MODIFY ANY PART OF THIS APPLIANCE

Manufactured for
and distributed by:

ALVA AIR

A division of Stingray Accessory Manufacturers (Pty) Ltd | P.O. Box 30014, Tokai, 7966
+27 21 442 1540 | info@stingrayco.za | www.alva.co.za
TOLL FREE NUMBER: 086 100 ALVA (2582)

 /AlvaElectric

IMPORTANT SAFETY INFORMATION

- Please read these instructions carefully before using your Drum Pedestal Fan. The operator must understand all safety requirements as detailed in this manual before using the unit.
- The manufacturer's warranty may be voided by incorrect use of this product.
- If you have any queries regarding these instructions, contact your local dealer for clarification before you use your Drum Pedestal Fan.
- Always remove unit from all packaging materials prior to use.
- Failure to follow the manuals instructions could result in damage or serious injury.
- Disconnect the power plug before dismantling, assembling or before cleaning.
- Avoid touching moving parts of the Drum Pedestal Fan.
- Make sure the fan is on a dry, even and level surface.
- Never insert fingers, pencils or any other objects though the guards whenever the power plug is connected, especially while running.
- Do not use the appliance for any other purpose than its intended use.
- Do not leave the product unattended while it is in use, especially when children are present. Always unplug the product from the electrical outlet when it is not in use.
- Do not place the product in or near an open window. Rain, snow, and other weather elements may create an electrical hazard.
- Keep the power cord and product away from sharp edges and heated surfaces.

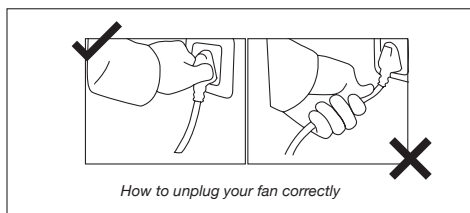
Thank you for your purchase of this Drum Pedestal Fan, Please read these instructions carefully before use and keep them in a safe place, for future reference.



WARNING:
TO AVOID THE RISK OF ELECTRICAL SHOCK, ALWAYS MAKE SURE THE PRODUCT IS UNPLUGGED FROM THE ELECTRICAL OUTLET BEFORE ASSEMBLING, DISASSEMBLING, RELOCATING, SERVICING, OR CLEANING IT.

For indoor use only.

- The fan must not be used if the guards are not fastened according to instructions.
- When the power cord is damaged, it must be replaced by the manufacturer, its service agent or a similarly qualified person in order to avoid a hazard.
- Do not use your appliance with an extension cord unless it has been checked and tested by a qualified electrician or electrical supplier.
- The appliance is not intended for use by young children or infirm persons unless they have been adequately supervised by a responsible person to ensure that they can use the appliance safely.
- Young children or infirm persons should be supervised to ensure that they do not play with the appliance.
- This appliance is intended for household and indoor use only.
- This appliance can be used by children aged from 8 years and above and persons with reduced physical, sensory or mental capabilities or lack of experience and knowledge if they have been given supervision or instruction concerning use of the appliance in a safe way and understand the hazards involved.
- Children shall not play with the appliance. Cleaning and user maintenance shall not be made by children without supervision.



How to unplug your fan correctly

To remove from the socket pull on the plug, not the electrical cord

WARRANTY

PLEASE RETAIN YOUR PROOF OF PURCHASE FOR WARRANTY CLAIMS.

ALVA warrants this appliance to be free of defects in material and quality for a period of 12 months from date of original purchase. This warranty covers the intended use of this appliance – within a domestic setting and not for commercial or industrial purposes. Any damage caused by willful abuse, tampering, modification or unauthorized repair will not be warranted.

Please retain all packaging material, as items returned without original packaging material may be subject to a withholding fee. Where this appliance is found to be defective, damaged, broken, or does not work correctly for the intended purpose, you must return the appliance to the retailer from where it was purchased.

The warranty will only be effected with valid proof of purchase. Failure to provide the proof of purchase will most likely result in the repair or service required being chargeable.

If you have any questions while setting up or using this Drum Pedestal Fan, please visit www.alva.co.za or call 086 100 ALVA (2582) or e-mail info@stingray.co.za

GENERAL INFORMATION

Before using this Drum Pedestal Fan, please read through this manual and make sure you understand everything. If you are not sure, call **086 100 ALVA (2582)** or visit www.alva.co.za for help.

Reading and understanding this manual should give you a good indication of what to expect from your Drum Pedestal Fan.

Always keep your proof of purchase. Keep these instructions for future use.

If you lose this copy, you can obtain a new copy from your dealer or online at www.alva.co.za.

INDEX

KEY

Notes marked with the following:



Contain important information

Notes marked with the following:



Contain cautions and warnings:

PARTS LIST 2

ASSEMBLING THE FAN 3

OPERATING THE FAN 5

SPEED OPERATION 5

CLEANING AND MAINTENANCE 6

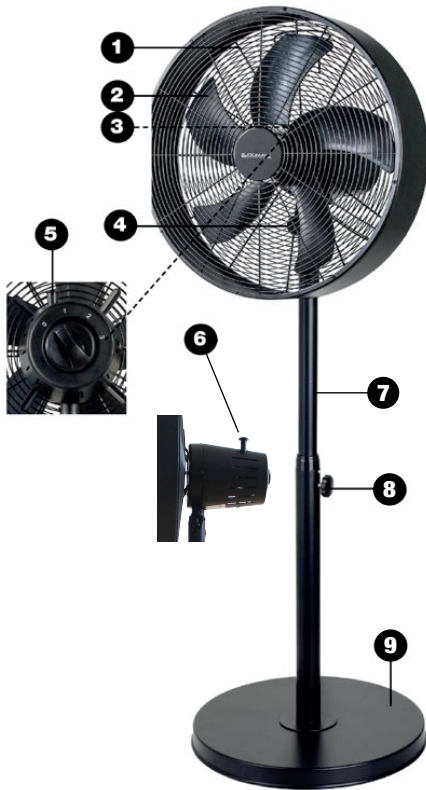
DISPOSAL 6

TROUBLE SHOOTING 7

SPECIFICATIONS 7

AFTER SALES SERVICE 7

PARTS LIST



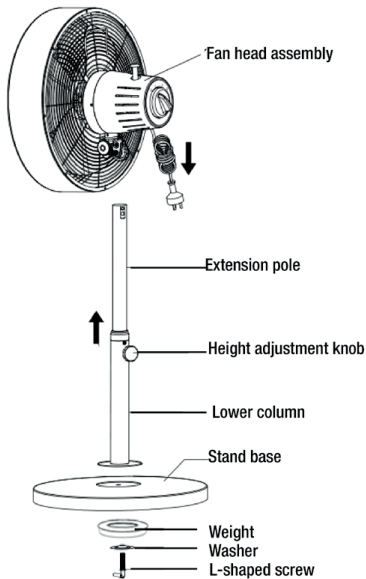
1.	Safety guards(front and rear grills)
2.	Fan blade
3.	Motor with speed control and oscillation knob (at the back, not visible from front)
4.	Pivot knob (see page 4 for details)
5.	Speed dial
6.	Oscillation knob
7.	Extension pole
8.	Height adjustment knob
9.	Stand base



Assembly required

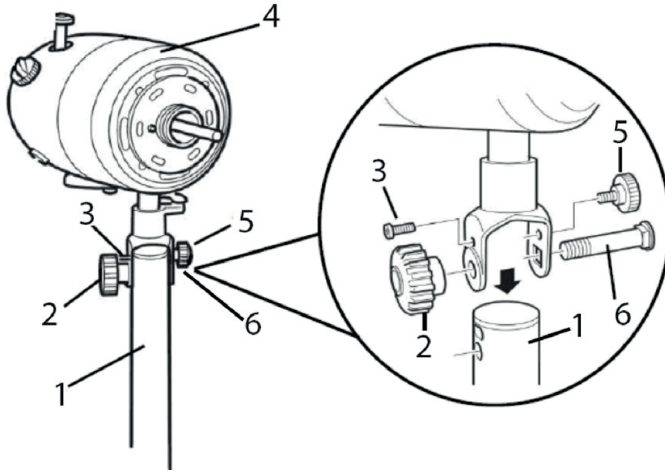
ASSEMBLING THE FAN

A. Attaching the telescopic stand to the stand base



1. The bolt is attached to the lower column, or supplied separately.
Unscrew the bolt, if applicable, and remove it from the bottom of the lower column.
2. Turn over the stand base.
3. Place weight inside stand base and securely tighten the lower column, stand base and weight together with washer and L-shaped screw through the base weight. Tighten firmly, but do not overtighten.
4. Loosen the height adjustment knob and pull out the extension pole to the desired height, then retighten the knob before assembling the motor section to the stand.

B. Attaching the fan head and motor assembly to the telescopic stand



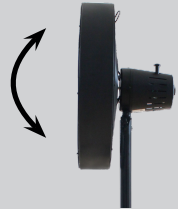
1. Post
2. Pivot knob
3. Neck retaining screw
4. Motor housing
5. Small adjustment knob
6. Large pivot bolt

NOTE: The illustration above shows the motor housing without the fan head. On the fan model you purchased, the fan head is already assembled to the motor housing.

- First remove the pivot knob (2) and the large pivot bolt (6) from the top of the post, then remove the neck retaining screw (3) and small adjustment knob (5) from the motor housing bracket.
- Place the fan head and motor assembly on the top of the post and thread the large pivot bolt (6) through the bracket. Screw in the neck retaining screw (3) and tighten, but do not overtighten.
- Fit the large pivot knob (2) onto the end of the bolt (6) and the small adjustment knob (5) at the other side above the bolt. Tighten the knobs while holding the fan motor upright.

OPERATING THE FAN

1. This Fan is for domestic use, it is not intended for industrial or commercial use. Your Fan is safe and easy to use.
2. Place the fan on a flat, level surface and ensure it is stable.
3. Put the plug in the wall socket, making sure the power cable is not taut and not in a walkway where it can be tripped over.
4. Adjust fan speed by rotating the speed dial to the desired position.
0 OFF
1 LOW
2 MEDIUM
3 HIGH
5. For the fan to oscillate automatically from left to right, press down on the oscillation knob at the top of the motor housing. To stop oscillation, pull up on the same knob.
6. To tilt the fan head, loosen the pivot knob (2) slightly and also the small adjustment knob (5). Adjust fan head to the desired position and retighten the two knobs. The fan must be switched off when doing this adjustment.



CLEANING AND MAINTENANCE

- The appliance, the power cord and the power plug must not be immersed in water or other liquids when you are cleaning them. Clean them with a dry cloth.
- If it is very dirty, the outside of the appliance can be wiped carefully with a moist cloth and then dried carefully. Make sure that no moisture penetrates into the interior of the appliance.
- Do not use any harsh cleaners, steel brushes, scouring powder or other hard objects to clean the appliance as these can cause scratches on the surfaces.
- Clean the appliance regularly.
- Never use solvents, benzene or oil-based cleaners as these can damage the housing.
- Re-tighten visible screw connections on the appliance regularly in order to ensure that the device is functioning properly.



Before cleaning the fan always remove the plug from the power socket to prevent injury or electric shock.

DISPOSAL

Used electric household devices:

1. If you do not want to use your electrical appliance any longer, return it free of charge to a recycling depot for used electric appliances.
2. Used electric devices must not be disposed of with normal household rubbish.

Further disposal instructions:

1. Return the electrical appliance in such a condition that its later re-use or recycling is not adversely affected.
2. Batteries must be removed in advance and the destruction of parts which contain fluids must be avoided.
3. Electrical appliances can contain harmful substances. Improper handling or damage to the appliance can lead to health problems or water or ground contamination, when the appliance is recycled later.



TROUBLE SHOOTING

Problem	Solution
The force of air coming from the unit is weak	Adjust the speed to a higher setting
The unit does not work	Check that the plug is connected and that the unit is switched on at the mains supply
Other abnormal conditions	Disconnect the fan from the wall socket and consult repair specialist

SPECIFICATIONS

Model	ACS207
Description	40cm Drum Pedestal Fan
Voltage	220V-240V~50-60Hz
Power	50W
Any modification to the Fan may cause injury or property damage.	
Any modification to the Fan will invalidate the warranty on this appliance.	

AFTER SALES SERVICE

MANUFACTURED FOR AND DISTRIBUTED BY ALVA AIR

A division of Stingray Accessory Manufacturers (Pty) Ltd.

P.O. Box 30014, Tokai, 7966

Tel: 021 442 1540

E-mail: info@stingray.co.za

www.alva.co.za

 www.facebook.com/AlvaGas

TOLL FREE NUMBER

086 100 ALVA (2582)



Should you experience problems with this Pedestal Fan, carry out the necessary checks as per the Trouble Shooting Guide.

If you are still unable to correct the problem with the information in this guide, please contact your nearest dealer or manufacturer.