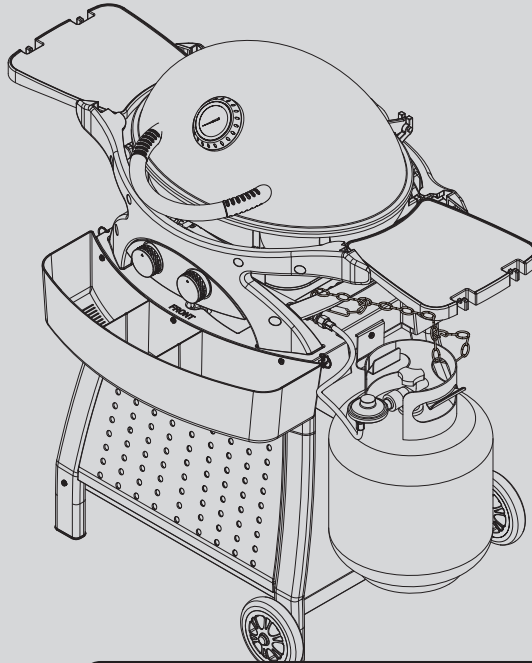


ALVA

2 BURNER ALVA MONDO



Your world is better with Alva

- THIS IS A LOW PRESSURE APPLIANCE TO BE USED ONLY WITH A 2.8kPa SANS 1237 APPROVED REGULATOR & SANS 1156-2 HOSE (REGULATOR & HOSE FITTED & SUPPLIED)
- FOR YOUR OWN SAFETY, PLEASE READ THIS MANUAL CAREFULLY AND ALWAYS OPERATE THIS PRODUCT ACCORDING TO THE INSTRUCTIONS
- IT IS ILLEGAL AND DANGEROUS TO CHANGE OR MODIFY ANY PART OF THIS APPLIANCE



APPROVED FOR USE IN
SOUTH AFRICA

Manufactured for
and distributed by:

ALVA

A division of Stingray Accessory Manufacturers (Pty) Ltd | P.O. Box 30014, Tokai, 7966
+27 21 442 1540 | info@stingray.co.za | www.alva.co.za
TOLL FREE NUMBER: 086 100 ALVA (2582)

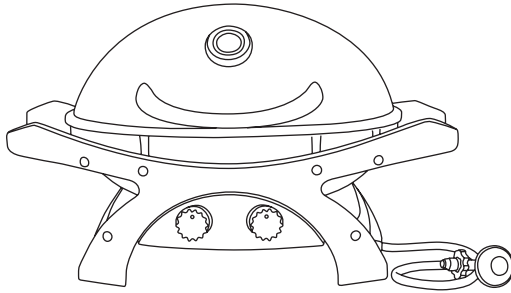
 /AlvaGas

 /alvagas

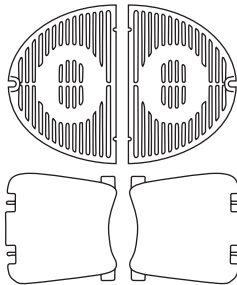
BBQ ASSEMBLY



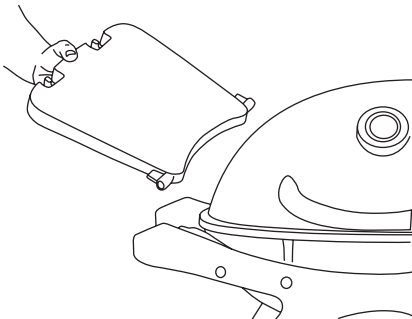
Start by unpacking the barbeque, and placing it on a flat surface. Be careful not to damage the painted finish. Check that you have all the correct parts. Remove all packaging materials and dispose of thoughtfully.



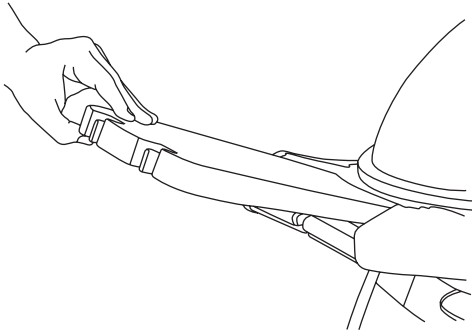
Installation is simple and only requires putting the two cooking grills in place and fitting the right and left hand shelves.



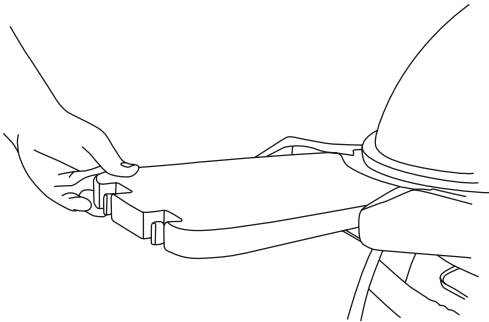
Two shelves are provided and are easily fitted into the corresponding slots located on both sides of the barbeque.



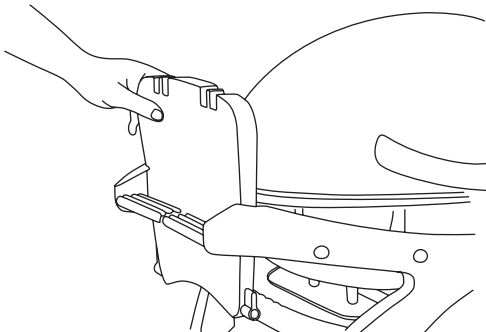
Locate the shelf slot and angle the shelf so that it lines up.



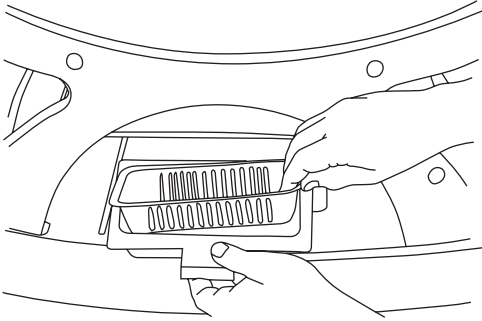
Insert the shelf horizontally and push gently until fits into place.
Finally



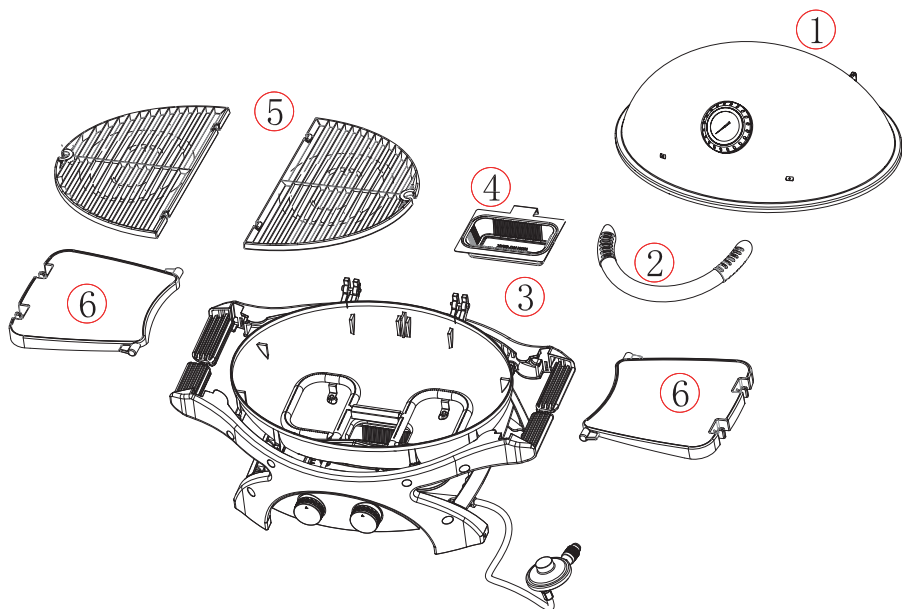
The shelves can be easily fitted vertically for transport or storage.
Attach the match holder and chain provided to the cross brace on the
left side of the BBQ.



Finally insert the grease tray. Check regularly and replace when necessary.

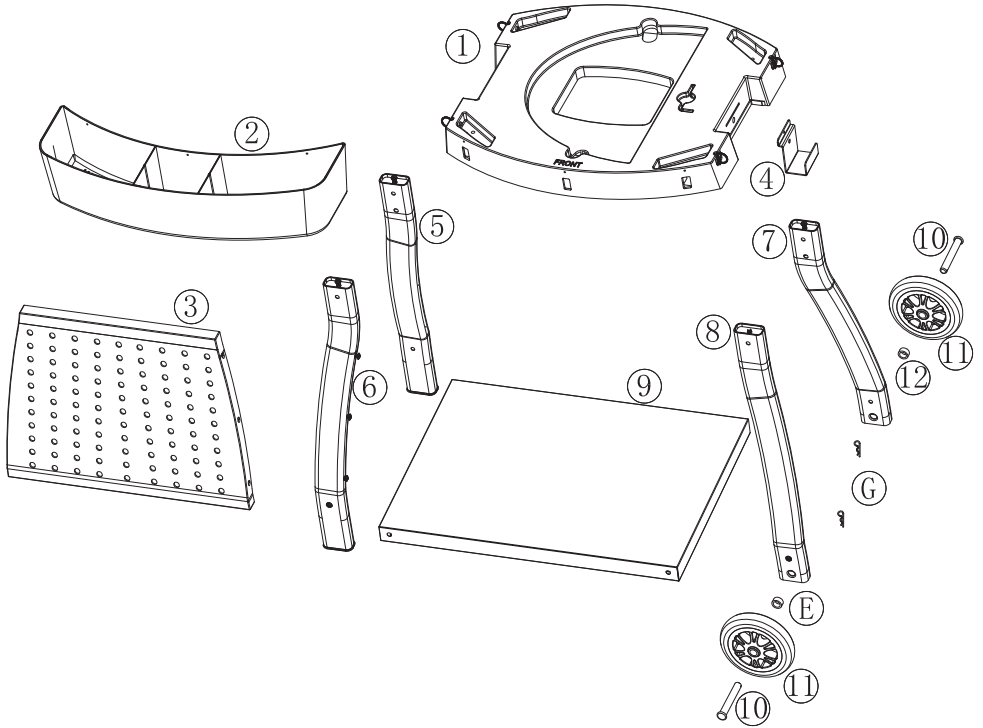


PARTS LIST BBQ



ITEM	NAME
1	LID
2	HANDEL
3	BBQ
4	DRIP TRAY
5	COOKING GRILLS
6	SHELVING

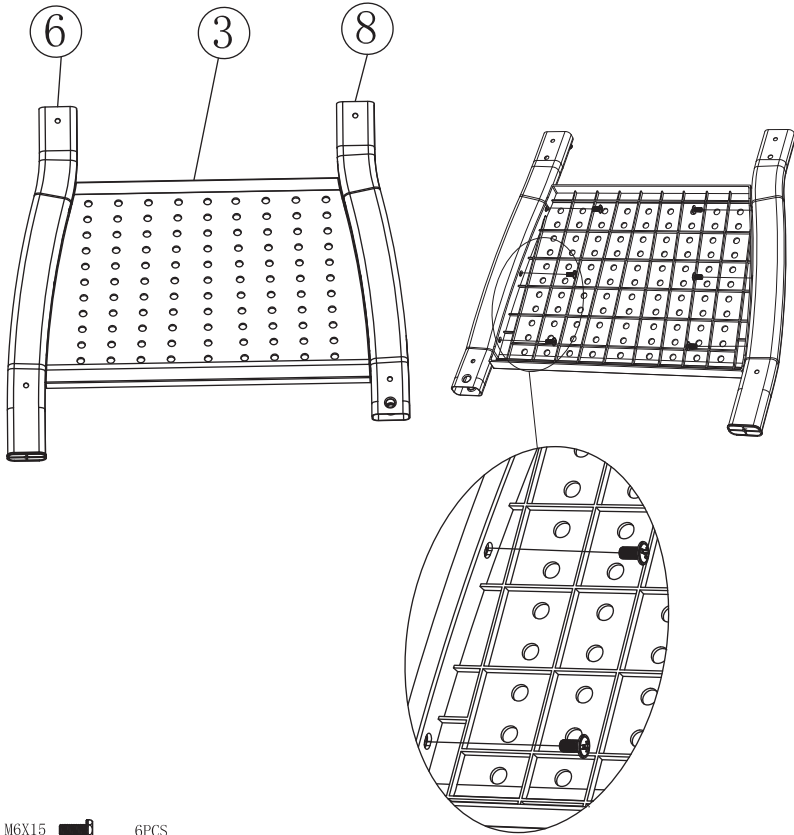
PARTS LIST TABLE/ BASE



PARTS LIST TABLE/ BASE

ITEM	NAME
1	TABLE
2	CONDIMENT TRAY
3	FRONT COVER
4	CYLINDER HOOK
5	LEFT REAR LEG
6	LEFT FRONT LEG
7	RIGHT REAR LEG (WITH AXEL HOLE)
8	RIGHT FRONT LEG (WITH AXEL HOLE)
9	BASE
10	BOLT
11	WHEEL
12	NUT
G	SPLIT CLIP

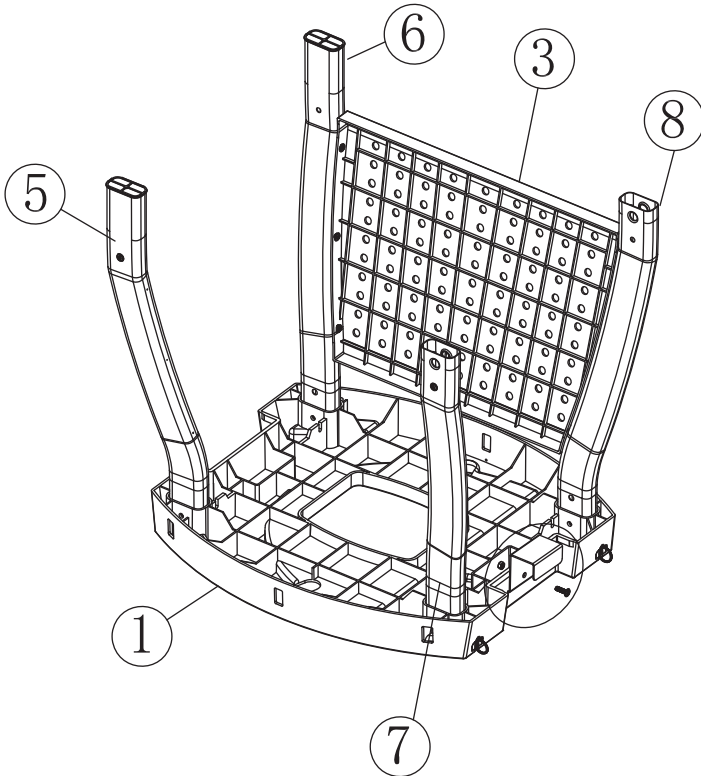
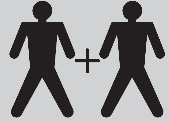
ASSEMBLY INSTRUCTIONS



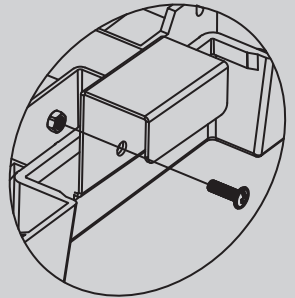
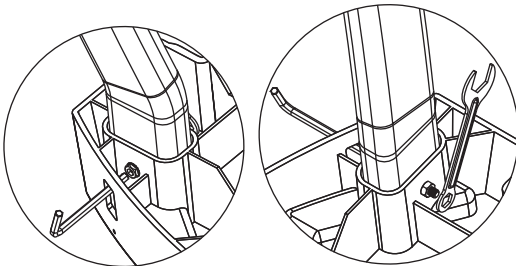
M6X15  6PCS

STEP 1

Turn the TABLE (1) upside down onto a stable flat surface.
Insert the four LEGS (5),(6),(7) and (8) as shown so that the legs all lean
outwards.
The RIGHT SIDE LEGS (7) and (8) with the axle holes need to both be on the
same side as indicated



Secure each leg with one M6 x 50mm BOLT (M) and one M6 NUT (N).
DO NOT fully tighten yet.



M6 X 50mm bolt (M)
and Nut (N) x4



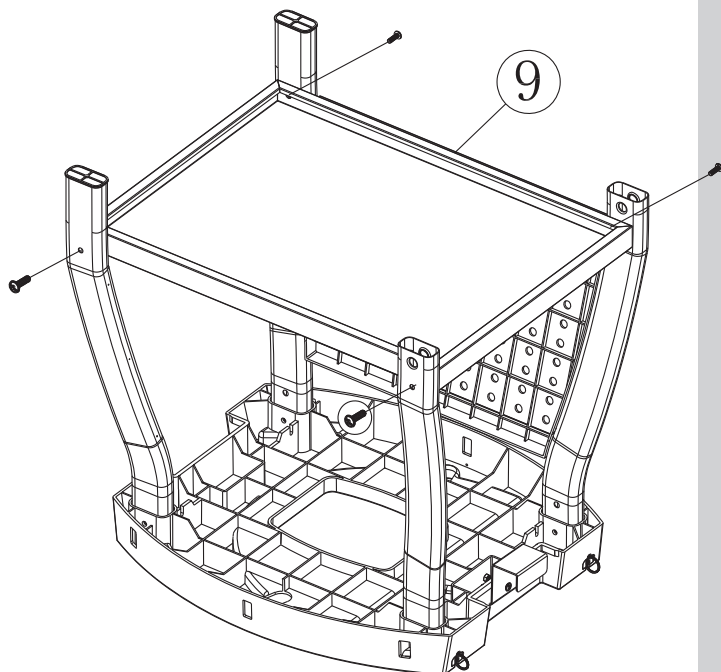
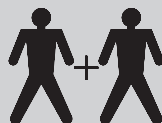
Spanner (R) x1



Allen Key (Q) x1

STEP 2

Fit the **BOTTOM BASE (9)** using four **M6 x 15mm BOLTS (L)**.
Once all bolts are in place, fully tighten using a **Phillips Head screwdriver**.
Now tighten the bolts and nuts from the previous step as well.

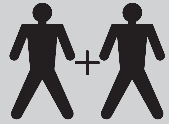
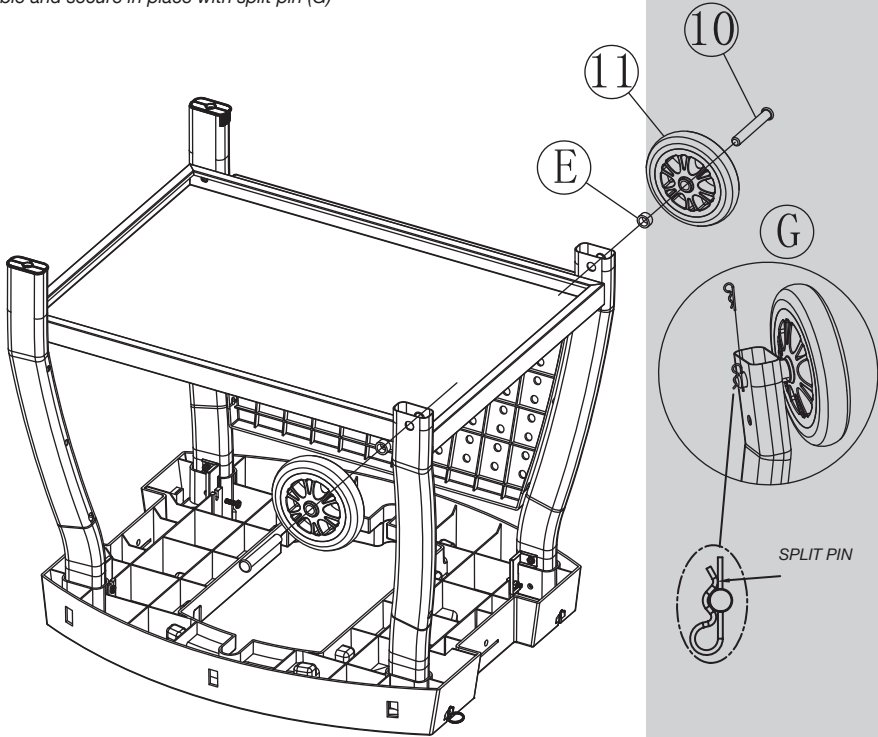


M6 X 15mm bolt (ML)
x4

STEP 3

Thread the **AXLE (I)** first through a **WHEEL (H)**.
Then through a **SPACER (O)**, then through the legs, then through another **SPACER (O)**, then through another **WHEEL (H)**.
Now fit the **SPLIT PIN (P)** into the axle, and clip the **HUBCAPS (G)** to the wheels.

Thread the **BOLT (10)** through the wheel (11) and spacer (E) and leg of the table and secure in place with split pin (G)



 Spacer (O) x2

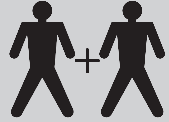
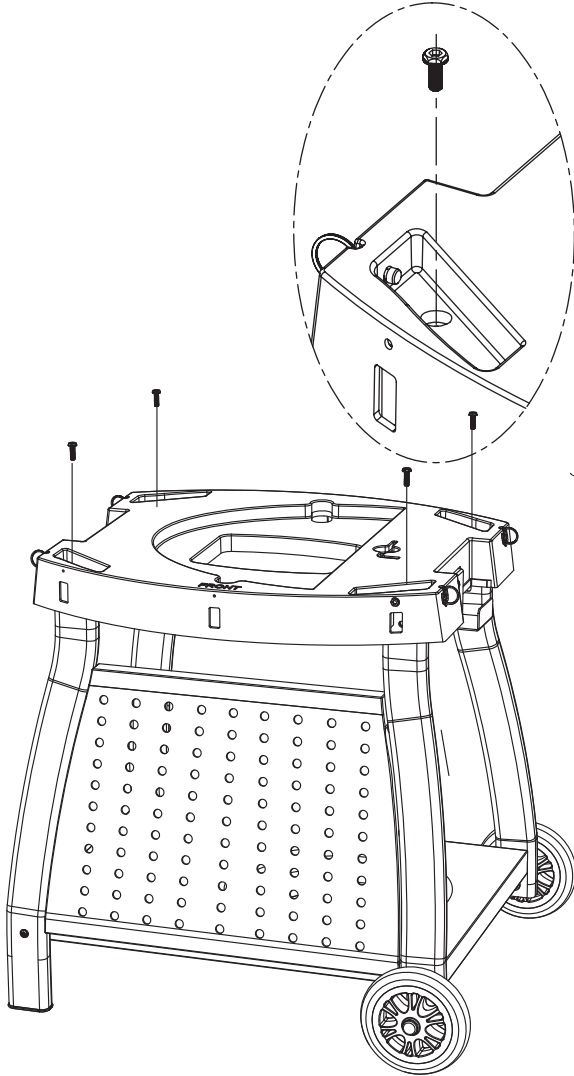
 Split Pin (P) x1

STEP 4

Turn the cart correct way up and lock each leg in place with one **M6 x 15mm BOLT (S)** as shown.

Tighten firmly using the **ALLEN KEY (Q)**.

DO NOT overtighten, the assembly will be very strong if these bolts are firmly secured.



M6 x 20mm BOLT (S) x4

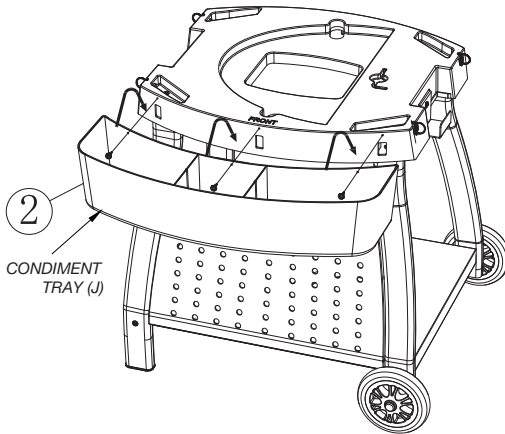
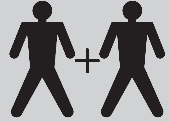


Allen Key (Q) x1

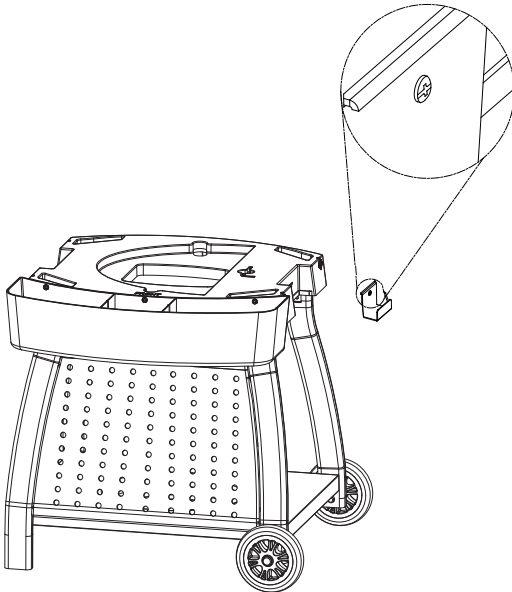
STEP 5

Hook the **CONDIMENT TRAY (J)** into table

Screw the **CYLINDER HOOK (K)** into place into the slot on the wheel side.



CONDIMENT
TRAY (J)



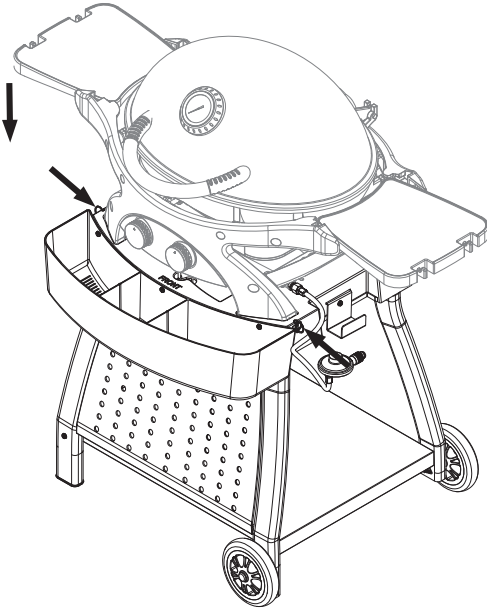
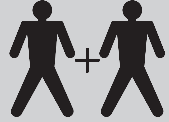
M6 x 20mm BOLT
(S) x4



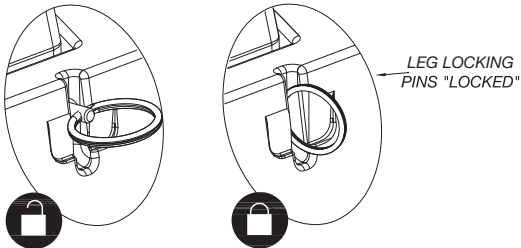
Allen Key (Q) x1

STEP 6

Place the ALVA Mondo gas braai in place on the table with the control panel at the front, cart wheels on the right as shown below.

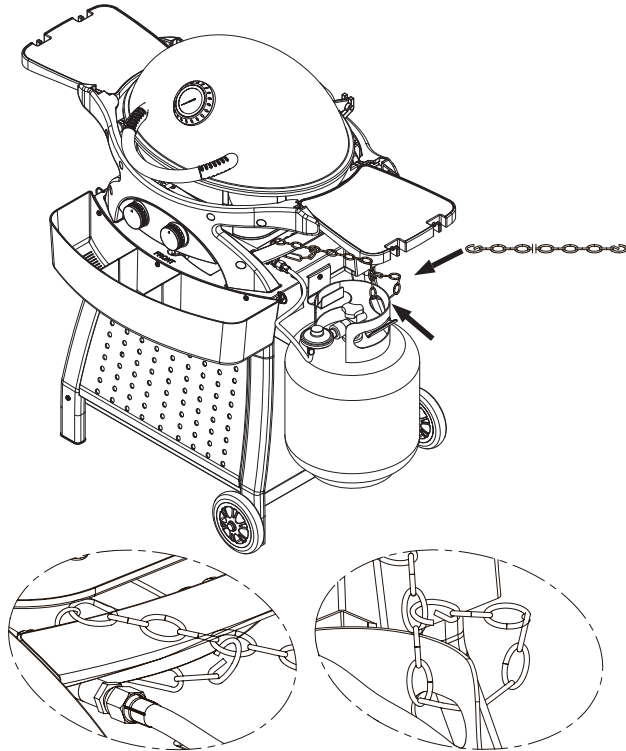
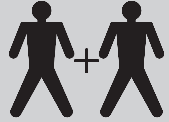


Set all four leg locking pins to their "locked" position by turning the ring to a vertical position, as shown below. Ensure the pins engage into the Mondo gas braai's legs.



STEP 7

Refer to your Mondo Gas Braai instruction manual for details on attaching and safely connecting the LP gas supply.



AFTER SALES SERVICE

MANUFACTURED AND DISTRIBUTED BY

Alva Marketing (Pty) Ltd

P.O. Box 30014

Tokai, 7966

Tel: 021 442 1540

E-mail: info@stingray.co.za

www.alva.co.za

■ @StingrayGroupSA

■ www.facebook.com/AlvaGas

TOLL FREE NUMBER **086 100 ALVA (2582)**