

# ALVA

## WALL MOUNTED PATIO HEATER

GHP50



Your world is better with Alva

- THIS IS A LOW PRESSURE APPLIANCE TO BE USED ONLY WITH A 2.8kPa SANS 1237 APPROVED REGULATOR SANS 1156 HOSE (REGULATOR AND HOSE NOT SUPPLIED)
- FOR YOUR OWN SAFETY, PLEASE READ THIS MANUAL CAREFULLY AND ALWAYS OPERATE THIS PRODUCT
- ACCORDING TO THE INSTRUCTIONS IT IS ILLEGAL AND DANGEROUS TO CHANGE OR MODIFY ANY PART OF THIS APPLIANCE
- MUST BE INSTALLED BY A REGISTERED LPGSASA INSTALLER



APPROVED FOR USE IN  
SOUTH AFRICA

Manufactured for  
and distributed by

# ALVA

A division of Stingray Accessory Manufacturers (Pty) Ltd | PO Box 30014 Tokai 7966 | +27 21 442 1540  
info@stingray.co.za | www.alva.co.za TOLL - FREE NUMBER: 086 100 ALVA (2582)

f/AlvaGas

@alvagas

## IMPORTANT SAFETY INFORMATION

As with all appliances, misuse of this appliance or failure to fully follow these instructions may cause fire, injury or death.

Please read all the instructions before using your gas heater.

- The operator must understand all safety requirements as detailed in this manual before using the unit.
- When this appliance is to be permanently installed the installation should only be carried out by a qualified gas fitter who is registered with LPGSASA and that such installations should comply with the requirements of SANS 10087-1 or SANS 827 as applicable.
- THIS UNIT MUST BE THOROUGHLY CHECKED BEFORE USE.
- Ensure that all the gas fittings are correctly and firmly fitted before every use.
- DO NOT use this heater if you do not clearly understand the instructions and/or how to operate the controls.
- Phone the Customer Care Line at 086 100 2582 (ALVA) or email [info@stingray.co.za](mailto:info@stingray.co.za) for assistance.
- DO NOT use this heater in an enclosed area, which could restrict airflow as this is a flue-less heater (It does not have a fixed chimney). Always make sure there is enough fresh air entering the room, by opening a door or window in the same room.
- DO NOT operate this heater in a bedroom, caravan, boat or any area less than 80 cubic meters (roughly 5 x 5 metres).
- DO NOT leave the heater unattended while in use.
- Ensure that the gas supply is turned OFF after use and while the heater is unattended.
- DO NOT place objects on or against the heater.
- DO NOT attempt to use the heater as a stove.
- DO NOT use a naked flame to test for leaks. Follow the Leak Testing procedure outlined under 'LEAK TEST'.
- NEVER use this heater with a cylinder other than the size recommended
- DO NOT touch the dress guard (front grill), as it gets very hot, while in use or after it has been switched off and is cooling.



*Please read the instructions carefully before use.*

*Retain this manual for future reference.*

*DO NOT mount the heater near flammable objects. The heater should always face the centre of the room,*

*Always have a clearance of at least 1000mm on the sides 400mm from the roof-top, ±1000mm (1m) in front of it.*

*Mount the heater 2000mm from the floor.*

- The dress guard provides protection.No part of the dress guard should be removed or changed.
- DO NOT unscrew the regulator while the heater is on or if the cylinder valve is open.
- DO NOT use a heater you suspect is faulty.
- When turning the heater off, first pull on the ignition cord to switch off heater, and then make sure to close the gas cylinder valve.
- For safety reasons, only a qualified technician may execute maintenance and repairs. The warranty for the heater will be rendered void if the heater is serviced or repaired by anyone other than an Alva appointed technician.
- The heater should be inspected once a year by a qualified technician, to make sure the unit is safe and fault free.
- The operator is responsible for the safety of all third parties while the heater is in use.

## INDEX

WARRANTY	2
GENERAL INFORMATION	2
METHOD OF ASSEMBLY	3
HEATER SET UP	3
ASSEMBLY	4-9
LEAK TEST	10
FLASHBACK	11
USING YOUR HEATER	11
CHANGING YOUR CYLINDER	12
MAINTENANCE	12
FREQUENTLY ASKED QUESTIONS	13
SPECIFICATIONS	14
TROUBLESHOOTING GUIDE	14
FEATURES	15
AFTER SALES SERVICE	15

### KEY



*Important information*



*Cautions and warnings.*



*Danger*



*Contact an approved  
ALVA technician.*



*Do It Yourself*

## WARRANTY

PLEASE RETAIN YOUR PROOF OF PURCHASE FOR WARRANTY CLAIMS.

ALVA warrants this appliance to be free of defects in material and quality for a period of 12 months from date of original purchase. This warranty covers the intended use of this appliance – within a domestic setting and not for commercial or industrial purposes. Any damage caused by wilful abuse, tampering, modification or unauthorized repair will not be warranted.

Please retain all packaging material, as items returned without original packaging material may be subject to a withholding fee. Where this appliance is found to be defective, damaged, broken, or does not work correctly for the intended purpose, you must return the appliance to the retailer from where it was purchased. The warranty will only be effected with valid proof of purchase. Failure to provide the proof of purchase will most likely result in the repair or service required being chargeable.

If you have any questions while setting up or using this heater, please visit [www.alva.co.za](http://www.alva.co.za) or call 086 100 2582 (ALVA) or e-mail [info@stingray.co.za](mailto:info@stingray.co.za)

## GENERAL INFORMATION

Before using this heater, please read through this manual and make sure you understand everything. If you are not sure, call 086 100 ALVA (2582) or visit [www.alva.co.za](http://www.alva.co.za) for help. This heater is a safe and efficient form of heating when used according to these instructions.

Reading and understanding this manual should give you a good indication of what to expect from your Alva heater.

If this product is not what you want or need, please help Alva and the environment by not damaging or destroying any part of the packaging, the manual or the Styrofoam inserts.

Always keep your proof of purchase. Keep these instructions for future use. If you lose this copy, you can obtain a new copy from your dealer or online at [www.alva.co.za](http://www.alva.co.za).

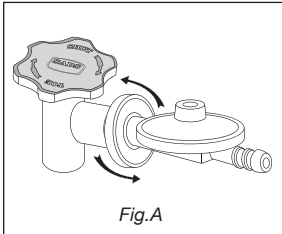


*Thank you for your purchase of this heater. Please read these instructions carefully before use and keep them in a safe place, for future reference.*



*Not using appliances according to the instructions is extremely dangerous and can lead to property damage, injury or death.*

## METHOD OF ASSEMBLY

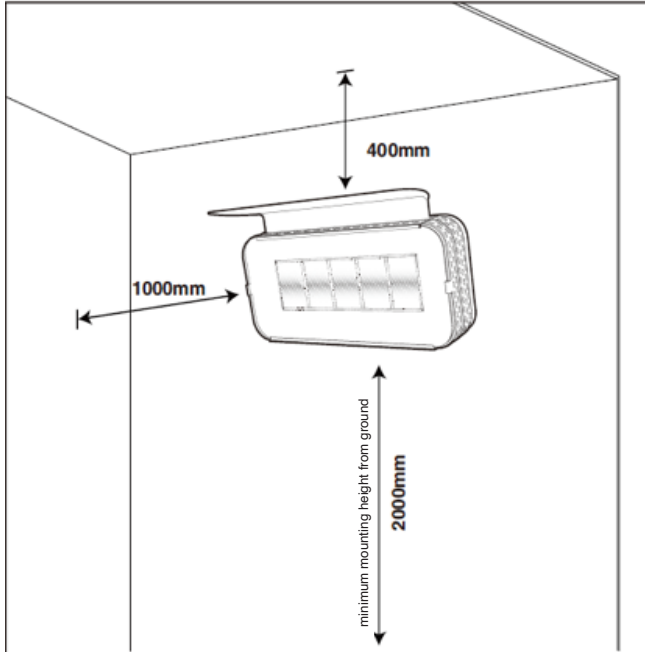


9kg ALVA cylinder recommended with a 5/8" BSP thread; horizontal exit valve. The Bullnose Regulator (not supplied with the heater) tightens to the left hand side (anti-clockwise) (figure A).

If you have bought a new gas cylinder, the cylinder needs to be purged (cleared out), before its first use. If it is not purged of air, the heater will not work properly. This should happen at the gas filling station when you fill up the cylinder. Always check this with your gas supplier.

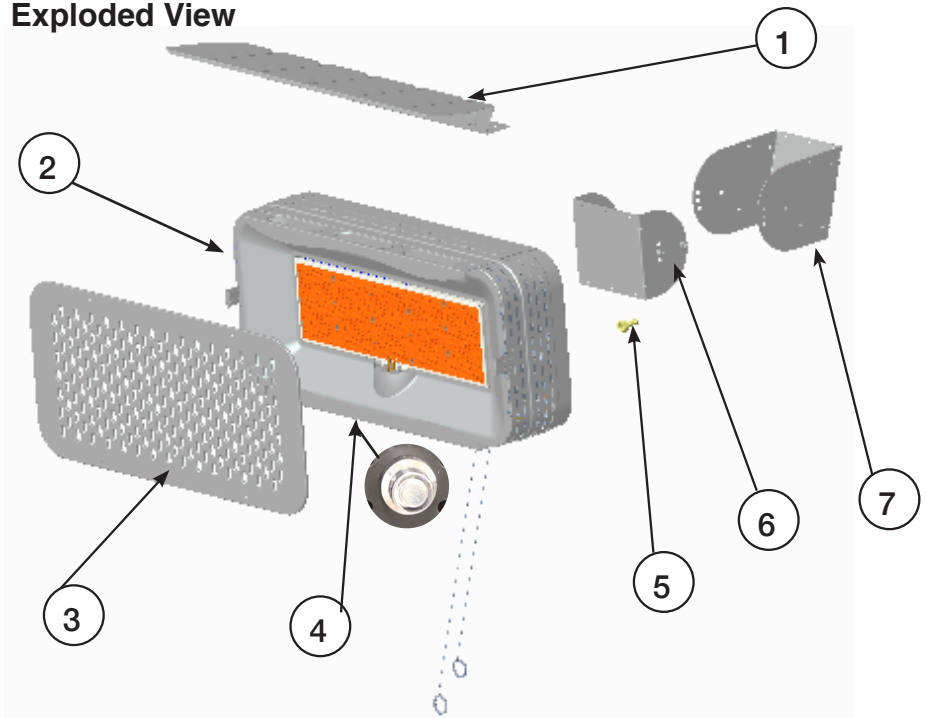
## HEATER SETUP

1. Before removing this heater from the packaging, read this manual in full and make sure that it is what you want/need.
2. Remove the heater from the packaging.



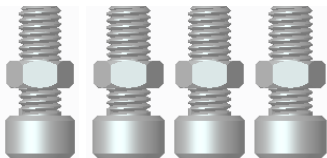
**WARNING:**  
*This heater operates directly on an industrial cylinder with a 5/8" HORIZONTAL exit valve, (ALVA 9kg industrial size). It is NOT to be used on a domestic cylinder with a 3/8" VERTICAL exit valve.*

## Exploded View



1	Heat Shield	4	AAA Battery Compartment
2	Heater Body	5	Gas Inlet Connector
3	Front Panel	6	Front Mounting Bracket
		7	Rear Mounting Bracket

## Screws



4pcs M8x20 Screws & Nuts  
Used for assembling front mounting bracket  
to rear mounting bracket



3pcs 4.2x8 screws.  
Used for assembling the Heat Shield to  
Heater Body

## Screws



6pcs M5x12 screws  
Used for assembling the front mounting bracket to Heater Body

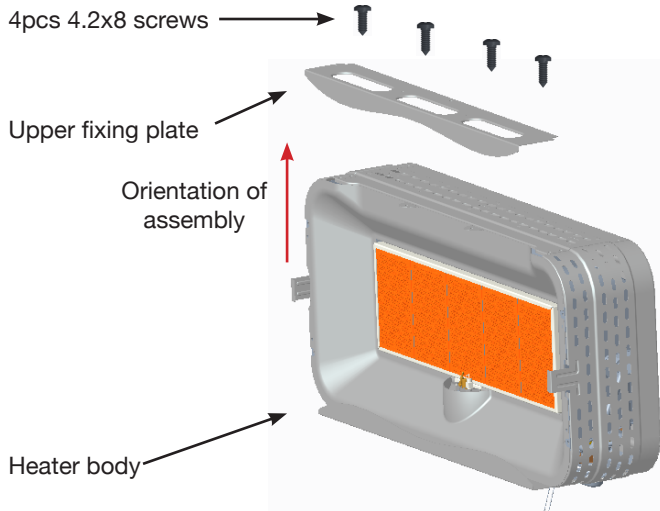


6pcs ST4.8x30 screws & wall plugs  
Used for rear mounting bracket to wall

## ASSEMBLY (for licensed Gas Installer)

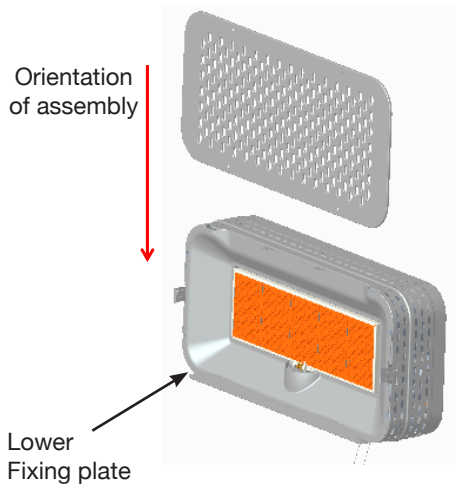
### Step 1

Disassemble the upper fixing plate from heater body

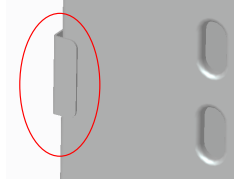




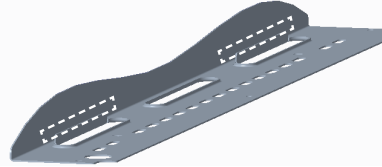
## Step 2 Assemble the front panel



(1) Slide the front panel into the heater from top to bottom. Ensure that it is held in place by the buckles on the left and right sides of the heater. As seen below

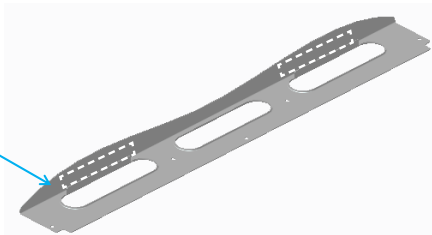
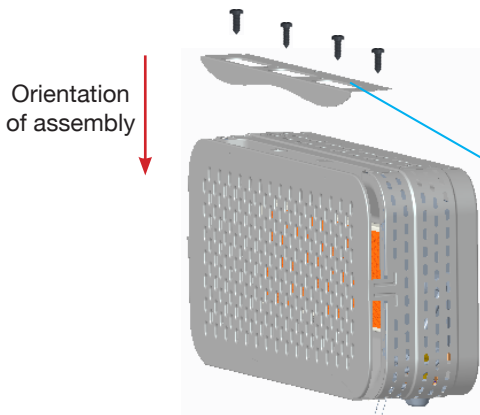


(2) The front panel should be inserted into the two slots of the lower fixing plate. So it is held securely in place

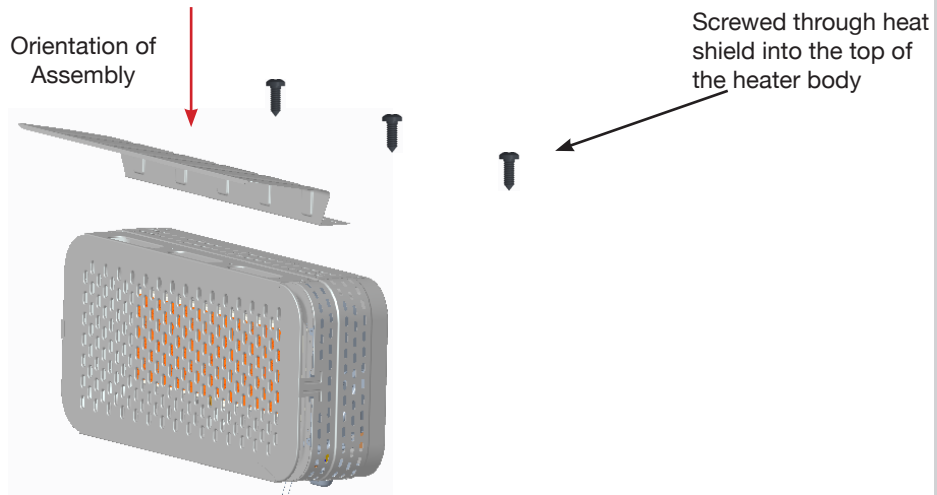


## Step 3 Reassemble the upper fixing plate

- (1) Insert the front panel into the two slots of the upper fixing plate.
- (2) Use 4.2x8 screws to assemble the upper fixing plate.

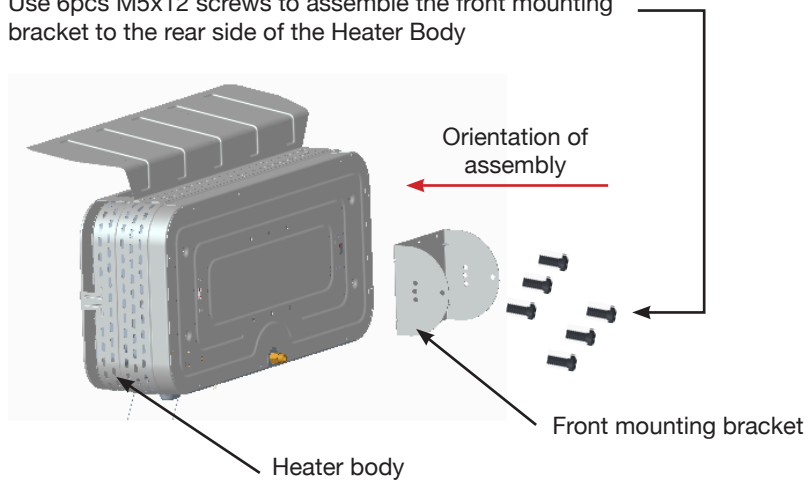


**Step 4**  
**Assemble the heat shield using 3pcs 4.2x8 screws**



**Step 5**  
**Assemble the front mounting bracket**

Use 6pcs M5x12 screws to assemble the front mounting bracket to the rear side of the Heater Body

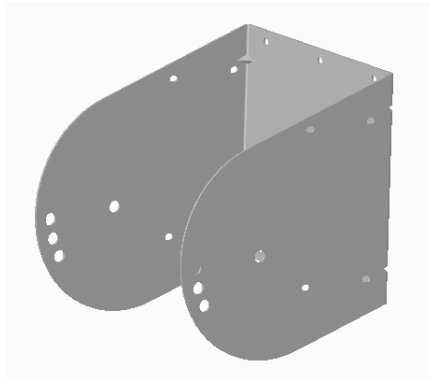


### Step 6

#### Assemble the rear mounting bracket to the wall

Use 6pcs ST4.8x30 screws & wall plugs to attach rear mounting bracket to wall

Orientation of assembly  
→

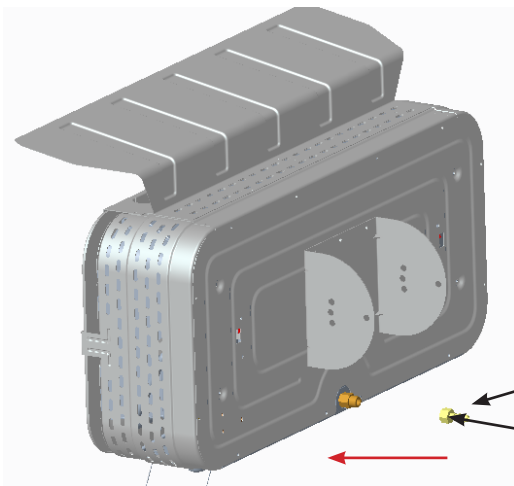


### Step 7

#### Assemble the gas inlet connector to the Heater Body



Before assembling the gas inlet connector to the heater body, check and make sure there is a flat rubber washer in the gas inlet connector.



Assemble the gas inlet connector to the heater.

Flat rubber washer in gas inlet connector



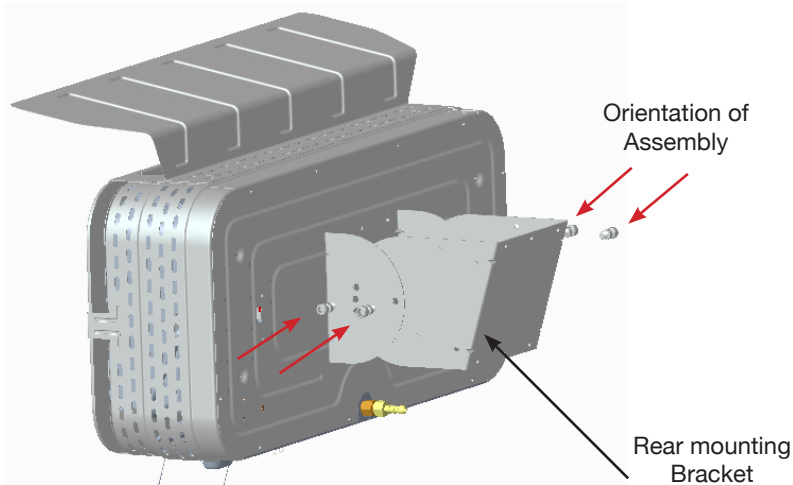
Gas inlet with flat washer

Orientation of assembly  
←

## Step 7

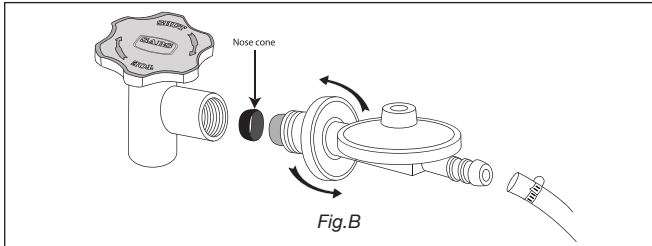
### Assemble the Rear Mounting Bracket

Use 4pcs M8x20 Screws and 4pcs M8 nut to assemble the heater to the rear bracket. Adjust the heater angle and tighten the screws.



### Additional Steps

1. Connect the regulator sold (sold separately and to be supplied by installer) to the cylinder and the hose to both (sold separately and to be supplied by installer) the regulator and the appliance hose connector. Fasten with the hose clamps.
2. When attaching the regulator to the cylinder, check that the rubber nose cone is in place, secure and in good condition, see Fig B.
3. Open the gas cylinder valve and do a leak test, see page 10.
4. DO NOT light the heater when performing this leak test.
5. After passing the leak test, insert a AAA battery into battery compartment for the auto ignition to operate.

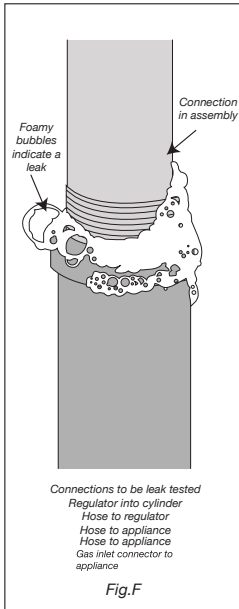


**APPLIANCE WARNING**  
 This appliance is for outdoor use only, do not use in  
 bedroom / bathroom

**WARNING**  
 This is a flue less gas-fired heater. It uses air (oxygen) from the room  
 in which it is installed. Provisions for adequate ventilation should be  
 provided. Refer to the appropriate section of the user manual.

**WARNING**  
**CARBON MONOXIDE POISONING CAN LEAD TO DEATH**  
 Carbon monoxide poisoning: Early signs of carbon monoxide  
 poisoning resemble flu symptoms, with headaches, dizziness or  
 nausea. If you have these symptoms, the heater may not be working  
 properly. Get fresh air at once! Have the heater serviced. Some people  
 are more affected by carbon monoxide than others. These include  
 pregnant women, people with heart or lung disease or anemia, those  
 under the influence of alcohol, and those at high altitudes.

**LEAK TEST**



The leak test must be carried out in a well-ventilated area, free from any flames or other sources of ignition.

- With the cylinder connected to the heater. Open the cylinder valve.
- Brush the connections (heater to cylinder) with a solution of equal parts soap and water (make sure it's foamy).
- A stream of bubbles forming indicates a gas leak. (See Fig.F)
- If bubbles appear, turn the cylinder valve OFF (clockwise) and disconnect the heater from the gas cylinder.
- Tighten the connection and retry the leak test.
- If you are unsure or if you cannot tighten the connection, place the cylinder outside in a cool, well-ventilated area and contact Alva on 086 100 ALVA (2582).
- A leak between the heater and cylinder can lead to a high pressure fire, which is very dangerous and can result in extensive injury or even death.

*How to do  
 a leak test*

<http://www.youtube.com/watch?v=8LpZ1B0m23Y&feature=plcp>

**!**

**FOR YOUR SAFETY  
 IF YOU SMELL GAS**

- Turn off the gas supply at the bottle.
- Extinguish all naked flames. DO NOT operate any electrical appliances.
- Ventilate the area.
- Check for leaks (see LEAK TEST)
- If odour persists, contact your dealer or local gas supplier immediately.

## FLASHBACK (flames in the burner tube)

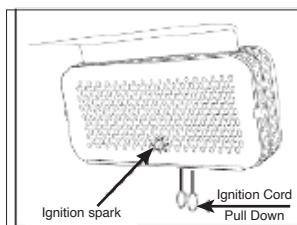
- If a flashback occurs (indicated by a roaring noise), immediately close off the cylinder valve.
- Turn the heater OFF with the pull cord.
- Disconnect the regulator and allow the heater to cool.
- Check for blockages in the venturi ports. Clean with compressed air, a small, soft brush or pipe cleaners.
- If the problem persists in reuse, have the heater checked by a qualified technician.

## USING YOUR HEATER

1. Turn the gas supply on by opening the cylinder valve.

### IGNITING THE UNIT

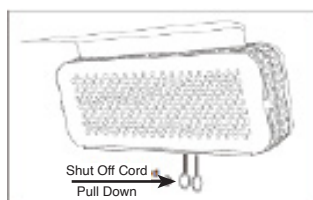
2. Pull and hold down the ignition cord on the right and maintain tension for approximately 10 seconds to ignite the ceramic burner. Keep tension on the ignition cord for a further 15 seconds to heat the thermocouple, then release the ignition cord.



3. Visually you should see a spark at the base of the centre burner when holding down the ignition cord.
4. If the heater does not ignite the first time, wait for about 30 seconds and repeat step 2 above. This may require more than one attempt.

### TURNING THE HEATER OFF

5. Pull down the off cord on the left by giving it a quick tug and release. Once the heater is turned off the burners will no longer be glowing orange giving indication that the unit is off.
6. Close the cylinder valve.



## CHANGING YOUR CYLINDER

Make sure your cylinder valve is closed (by turning it clockwise). Allow the heater to cool completely before replacing the cylinder.

Replace the cylinder. ALWAYS check that the regulator sealing washer (nose cone) is intact and in place before reattaching the regulator to the gas cylinder. (Figure B, page 10)

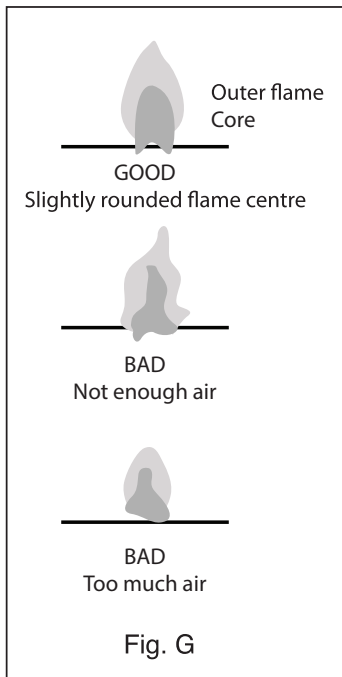
Perform the leak test as detailed on page 10 every time you replace the gas cylinder.

DO NOT attempt to remove the regulator while the heater is on or if the cylinder valve is not closed.



**WARNING:**  
*Never attempt to remove the regulator if the heater is on or if the cylinder valve is not properly closed.*

## MAINTENANCE



- Always make sure the heater is OFF and cool, with the cylinder valve closed, before conducting any maintenance.
- Your heater should be checked once a year by a technician.
- If faults are suspected or detected, stop using the heater and contact ALVA.
- Clean the exterior of your heater when required to remove dust and prevent lint build up.
- DO NOT use abrasive products to clean the heater; these may damage the paint work.
- While in operation the pilot flame should be steady. If it flickers or is yellow the heater needs to be serviced. (Fig. G)

If any part of the heater is in need of replacing, use only original Alva parts. Using any other spare parts is dangerous and will void the warranty.

When the heater is not going to be used for an extended period of time, keep it covered or in its box, to prevent dust from settling on the panels. When removing the heater from storage, use a vacuum cleaner to vacuum the panels before re-use.

## FREQUENTLY ASKED QUESTIONS

**Q: Why is there an odour when I use a gas heater?**

A: All gas appliances give off an odour. This could be harmful if inhaled for extended periods of time. This “smell” is normal, and it does not mean that you have a gas leak.  
The smell of raw gas (just before you ignite the appliance) differs from the smell coming from the heater when it is in use. The odour is added to allow easy gas detection.

**Q: Why must there be ventilation when using a gas heater?**

A: Whenever fuel (LP Gas in this case) is burned, ventilation is needed. Any fire needs oxygen to burn. Think of a fireplace, you require a chimney or flue for the smoke to exit the house. Even though a gas heater does not generate smoke, it still generates carbon monoxide and carbon dioxide, which can be dangerous if not diluted by fresh air. Always ensure adequate ventilation by leaving a door or window open in the same room.

**Q: When I open a door or window for ventilation won't I get cold?**

A: The Alva GHP50 is an infrared radiant gas heater. Infrared heaters heat objects as well as the air. This means, that even though you have cooler air coming into your room, the infrared heater will warm the room and make sure that you do not feel the cold.

**Q: How long will the gas in my cylinder last?**

A: This depends on how you use your heater. It is easy to calculate your gas consumption. Take the capacity of the gas cylinder in grams (i.e. 9000g for a 9kg cylinder) and divide it by the gas consumption of the heater, on your desired setting (*refer to the Specifications section in this manual (page 10)*). The answer to the calculation is the approximate number of hours that your heater will burn for.

**Q: I just took my heater from storage, but there seems to be a blue flame rolling on the panels. Is my heater faulty?**

A: It is normal for dust to settle on the panel. When this happens, the heater will not burn properly at first, giving the appearance of a blue flame running on the panel. This might happen when you first buy the unit or after you have stored it. There is nothing wrong with the heater. Simply burn the dust off the panels by letting the heater operate for between 5 and 15 minutes. The panels should eventually settle and burn red.



*If you are still unable to correct the problem with the information in this guide, then you need to contact your nearest dealer or manufacturer.*



**Q: What do I do if I have an over-filled cylinder?**

**A:** The best method to determine if your cylinder is over-filled is to weigh it. Subtract the 'tare' mass from the cylinder weight – this gives you the weight of your gas. If this gas weight exceeds your cylinder design weight (9kg) then return the cylinder to your gas supplier.

### SPECIFICATIONS

Model	ALVA GHP50
Type of Gas	LPG
Operating pressure	2.8kPa
Injector size	1.6mm
Gas Consumption	631 gr/h
Heat output	8.8kW
This heater has been tested and is LPGSASA approved under specifications SANS 1539 (appliance), SANS 1237 (regulator) and SANS 1156 (hose).	

### TROUBLE SHOOTING GUIDE

TROUBLE	CAUSE	REMEDY
Odour	Combustion	N/A - The combustion process will always cause an odour
Strong odour	Incorrect gas mixture	Obtain LPG only from reputable LPG dealers
	Unburned gas leak	Perform a leak test Always ensure there is proper ventilation
Burns then dies	Over-filled cylinder	Return to gas supplier
	Ventilation	Make sure the room has adequate ventilation
	Empty cylinder	Replace with a full cylinder
Heater does not light up	Empty cylinder	Replace with a full cylinder
	No gas flow	Open cylinder valve
No ignition spark	Dead battery	Replace with new AAA battery



*How to test if your cylinder is overfilled*



<http://www.youtube.com/watch?v=YavsYE8nzCw&feature=plcp>



*Should you experience problems with this gas heater, carry out the necessary checks as per the Trouble Shooting Guide . If you are still unable to correct the problem with the information in this guide, then you need to contact your nearest dealer or manufacturer.*

## FEATURES

**Positive off:**

The heater can be switched off at the ignition string of the unit.

**Oxygen Depletion Sensor (ODS):**

A safety feature that shuts the heater off if the carbon monoxide levels in the room reach 200 parts per million.

**Flame Failure Safety Device:**

A safety feature that shuts the gas flow off completely if the pilot flame dies for any reason.

## AFTER SALES SERVICE

MANUFACTURED FOR AND DISTRIBUTED BY ALVA,  
a division of Stingray Accessory Manufacturers (Pty) Ltd

P.O. Box 30014

Tokai, 7966

Tel: 021 442 1540

E-mail: [info@stingray.co.za](mailto:info@stingray.co.za)

[www.alva.co.za](http://www.alva.co.za)

 [/alvagas](https://www.instagram.com/alvagas)

 [www.facebook.com/AlvaGas](https://www.facebook.com/AlvaGas)

TOLL FREE NUMBER **086 100 ALVA (2582)**