

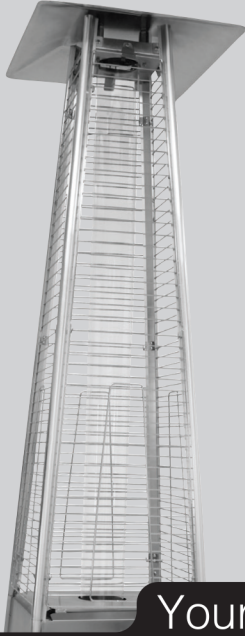


# ALVA

## PATIO HEATER

DESIGNER BLUE FLAME TUBE

GHP20



Your world is better with Alva

- THIS IS A LOW PRESSURE APPLIANCE TO BE USED ONLY WITH A 2.8kPa REGULATOR AND SANS 1156-2 HOSE (REGULATOR AND HOSE SUPPLIED)
- FOR YOUR OWN SAFETY, PLEASE READ THIS MANUAL CAREFULLY AND ALWAYS OPERATE THIS PRODUCT ACCORDING TO THE INSTRUCTIONS
- IT IS ILLEGAL AND DANGEROUS TO CHANGE OR MODIFY ANY PART OF THIS APPLIANCE



APPROVED FOR USE IN  
SOUTH AFRICA

Manufactured for  
and distributed by:



# ALVA

A division of Stingray Accessory Manufacturers (Pty) Ltd | P.O. Box 30014, Tokai, 7966 |  
+27 21 442 1540 | [info@stingray.co.za](mailto:info@stingray.co.za) | [www.alva.co.za](http://www.alva.co.za) |  
TOLL-FREE NUMBER: 086 100 ALVA (2582)



 /AlvaGas

 /alvagas

## IMPORTANT SAFETY INFORMATION

As with all gas appliances, misuse of this appliance or failure to fully follow these instructions may cause fire, injury or death. Please read all the instructions before using your gas heater.

- THIS UNIT MUST BE THOROUGHLY CHECKED BEFORE USE.
- Ensure that all the gas fittings are correctly and firmly fitted before every use.
- Remove all packaging materials before assembling.
- For OUTDOOR USE ONLY. Not for commercial use.
- For use with LP gas only
- DO NOT use within 1m of any flammable surfaces
- DO NOT use this patio heater if you do not clearly understand the instructions and/or how to operate the controls.
- Phone the customer care line at 086 100 ALVA (2582) or email [info@stingray.co.za](mailto:info@stingray.co.za) for assistance.
- DO NOT store flammable materials or another cylinder near the patio heater.
- DO NOT leave the heater unattended while in use.
- Ensure that the gas supply is turned OFF at the cylinder after use and while the heater is unattended.
- DO NOT move the heater while in use.
- DO NOT place objects on or against the heater.
- DO NOT use a naked flame to test for leaks. Follow the Leak Testing procedure outlined under 'LEAK TEST'.
- Leak test the patio heater every year or if you ever smell gas
- NEVER use this heater with a cylinder other than the size recommended.
- DO NOT unscrew the regulator while the patio heater is on or if the cylinder valve is open.
- DO NOT use a patio heater you suspect is faulty.
- For safety reasons, only a qualified technician may execute maintenance and repairs.
- The warranty for the patio heater will be rendered void if the patio heater is serviced or repaired by any one other than an Alva appointed technician.
- The patio heater should be inspected once a year by a qualified technician, to make sure the unit is safe and fault free.
- The operator is responsible for the safety of all third parties while the heater is in use.
- DO NOT use in windy or gusty conditions.
- Accessible parts may get very hot during operation. Keep young children at a safe distance.
- Clean with warm soapy water only after the heater has cooled down.
- Keep the burner unit clear of spider webs or other obstructions.
- Close the gas cylinder valve off after use.
- Any modification of this heater is dangerous.
- If you smell gas close the cylinder valve immediately.



*Please read the instructions carefully before use.*

*Retain this manual for future reference.*

## INDEX

WARRANTY	1
GENERAL INFORMATION	1
PARTS DIAGRAM	2
EXPLODED VIEW	3
PARTS LISTING AND TOOLS REQUIRED	4
ASSEMBLY	5
HEATER SET UP	5
LOCATION	12
LEAK TEST	12
USING YOUR HEATER	13
FLASHBACK (Flames in the burner tube)	14
CHANGING YOUR CYLINDER	14
MAINTENANCE	15
FREQUENTLY ASKED QUESTIONS	16
TROUBLE SHOOTING GUIDE	17
SPECIFICATIONS	17
AFTER SALES SERVICE	18

### KEY



*Important information*



*Cautions and warnings.*



*Danger*



*Contact an approved ALVA technician.*



*Do It Yourself*



*Instructional video available*

## WARRANTY

### PLEASE RETAIN YOUR PROOF OF PURCHASE FOR WARRANTY CLAIMS.

ALVA warrants this appliance to be free of defects in material and quality for a period of 12 months from date of original purchase. This warranty covers the intended use of this appliance – within a domestic setting and not for commercial or industrial purposes. Any damage caused by willful abuse, tampering, modification or unauthorized repair will not be warranted.

Please retain all packaging material, as items returned without original packaging material may be subject to a withholding fee. Where this appliance is found to be defective, damaged, broken, or does not work correctly for the intended purpose, you must return the appliance to the retailer from where it was purchased. The warranty will only be effected with valid proof of purchase. Failure to provide the proof of purchase will most likely result in the repair or service required being chargeable.

If you have any questions while setting up or using this heater, please visit [www.alva.co.za](http://www.alva.co.za) or call 086 100 ALVA (2582) or e-mail [info@stingray.co.za](mailto:info@stingray.co.za)

## GENERAL INFORMATION

Before using this heater, please read through this manual and make sure you understand everything. If you are not sure, call **086 100 ALVA (2582)** or visit [www.alva.co.za](http://www.alva.co.za) for help. This heater is a safe and efficient form of heating when used according to these instructions.

Reading and understanding this manual should give you a good indication of what to expect from your Alva gas heater. If this product is not what you want or need, please help Alva and the environment by not damaging or destroying any part of the packaging, the manual or the Styrofoam inserts. Always keep your proof of purchase. Keep these instructions for future use. If you lose this copy, you can obtain a new copy from your dealer or online at [www.alva.co.za](http://www.alva.co.za).

This appliance operates on a 2.8kPa SANS 1237 approved regulator. Regulator and hose included.



*Thank you for your purchase of this patio heater. Please read these instructions carefully before use and keep them in a safe place, for future reference.*



*Not using gas and/ or gas appliances according to the instructions is extremely dangerous and can lead to property damage, injury or death.*

*For outdoor use only.*

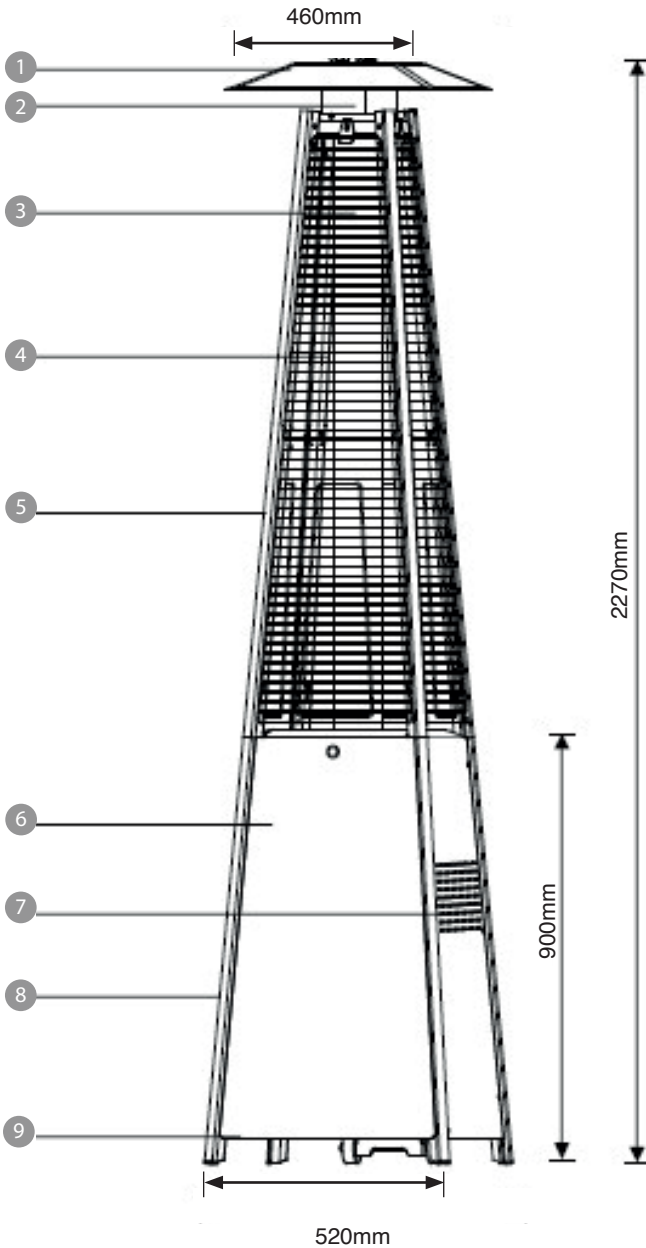
*For use with LPG only*

*DO NOT use within 1m of any flammable surfaces.*

*Always turn OFF the gas supply at the cylinder after use.*

*DO NOT store flammable materials or another cylinder near the heater.*

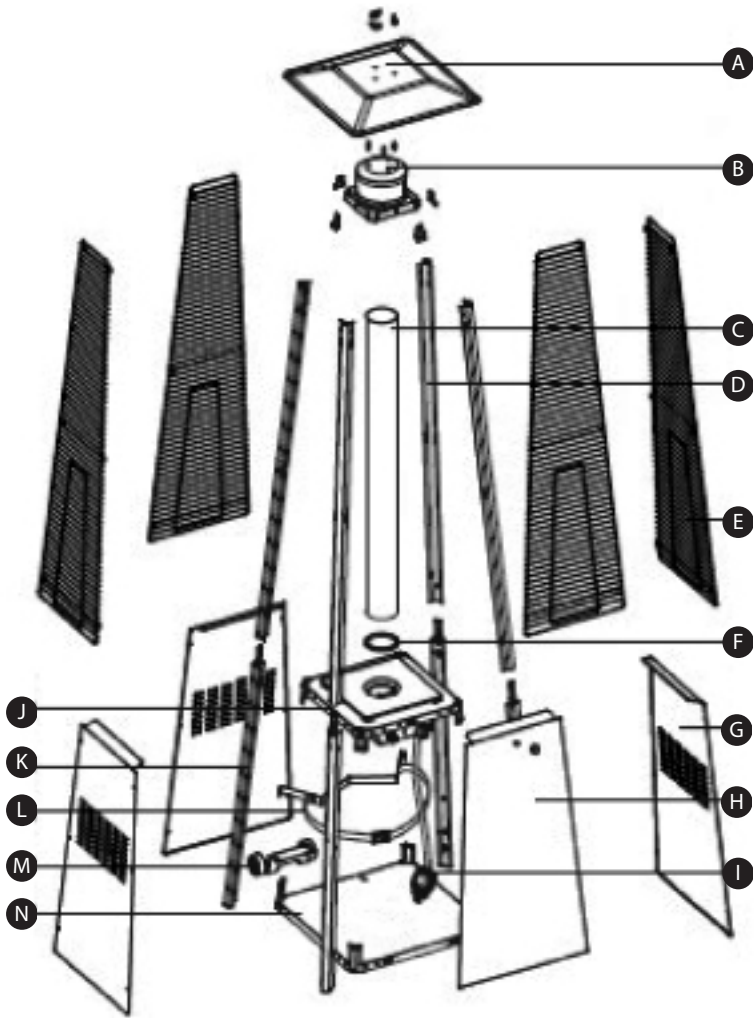
## PARTS DIAGRAM



1	Reflector	
2	Flame Screen /	
3	Glass Tube	
4	Protective Guard	
5	Upper Support	
6	Front Panel	
7	Side Panel	
8	Lower Support	
9	Bottom plate	





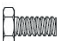


Refer to your 'Key' on the index page.








EXPLODED VIEW



## PARTS LISTING AND TOOLS REQUIRED

PARTS SUPPLIED		QUANTITY
<b>A</b>	Reflector	x1
<b>B</b>	Flame Screen	x1
<b>C</b>	Upper Glass Tube	x1
<b>D</b>	Upper Support	x4
<b>E</b>	Protective Guard	x4
<b>F</b>	Black Silicone Ring	x1
<b>G</b>	Side Panel	x3
<b>H</b>	Front Panel	x1
<b>I</b>	Gas Hose and Regulator	x1
<b>J</b>	Control Box Assy	x1
<b>K</b>	Lower Support	x4
<b>L</b>	Block Belt	x1
<b>M</b>	Wheel Assembly	x1
<b>N</b>	Bottom plate	x1

<b>AA</b>	Wing Nut		x3
<b>BB</b>	Small flat washer ø6		x6
<b>CC</b>	Stud		x3
<b>DD</b>	3/16" Screw		x38
<b>EE</b>	Bolt M6x10		x4
<b>FF</b>	M6 Flange Nut		x4
<b>GG</b>	M5x12 Screw		x10

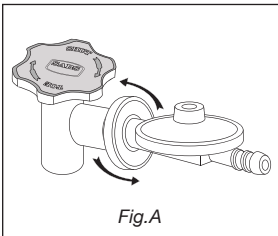
<b>HH</b>	Fixing Bracket		x4
<b>II</b>	Wrench		x1
<b>JJ</b>	Philips Screwdriver		x1
<b>KK</b>	Knob		x1
<b>LL</b>	M4x10 Screw		x1
<b>MM</b>	Chain		x1
<b>NN</b>	Long Stem Lighter		x1

## ASSEMBLY

Remove all packaging materials before assembling the patio heater.

Before Assembly:

- Please read all instructions thoroughly before proceeding with the appliance assembly.
- Find a large clean area in which to assemble the patio heater.
- Please refer to the parts list and diagrams. (see page 2)
- Assembly of the heater involves large components and it is advisable to have two people to assemble the unit.



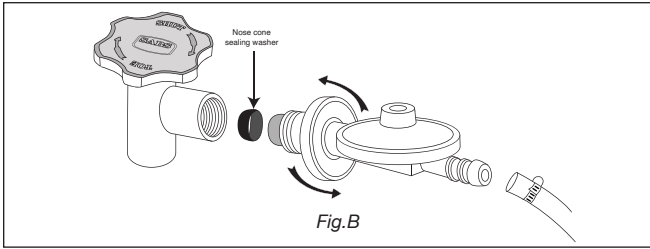
This patio heater makes use of an industrial cylinder (9kg ALVA cylinder recommended) with a 5/8" BSP thread; horizontal exit valve. The Bullnose regulator supplied with the heater tightens to the left hand side (anti-clockwise). (*Figure A*).

If you have bought a new gas cylinder, the cylinder needs to be purged (emptied out), before it's first use. If it is not purged of air, the heater will not work properly. This should happen at the gas filling station when you fill up the cylinder. Always check this with your gas supplier.

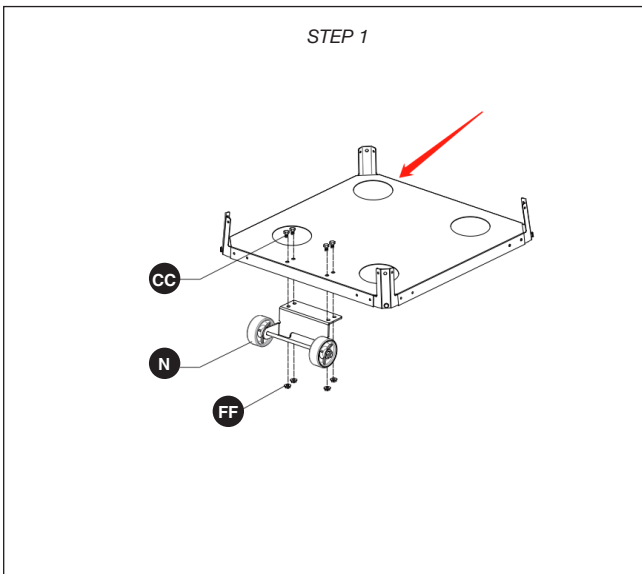
## HEATER SET UP

1. Before removing this heater from the packaging, read this manual in full and make sure that it is what you want /need.
2. Remove the heater from the packaging
3. Check if the nose cone sealing washer is in place, secure and in good condition. (*Figure B*)
4. The regulator goes directly into the cylinder valve. Always ensure that the regulator is correctly and firmly fastened in place. The use of any adaptors is illegal.





Your heater should be checked once a year by a qualified technician. Take special care to retighten any fixtures or nuts and bolts that have come loose.



Assemble the wheel assembly to the bottom plate. Fix the wheel assembly to the bottom plate using 4pcs bolt M6X12 and 4pcs flange nut M6.

STEP 2

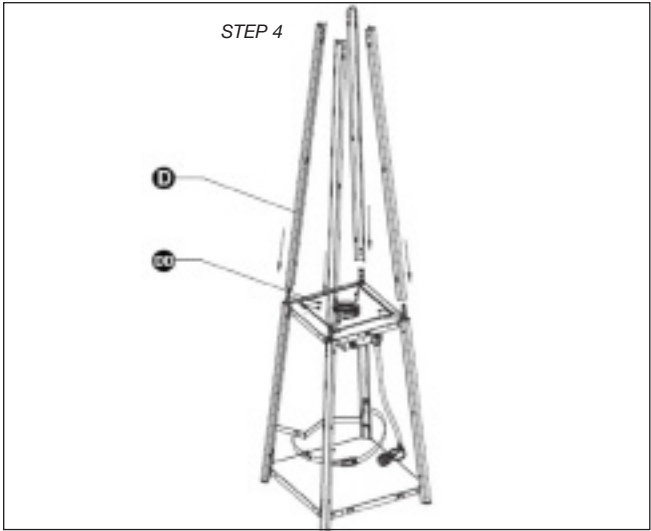


Insert the pins of the base to the holes of lower support, press to secure the pins. Using 4pcs screw M5x12 to secure the lower support and base. Insert the pins of the control box assy to the holes of upper support, press to secure the pins. Using 4pcs screw 3/16" screw to secure the upper support and control box assembly.

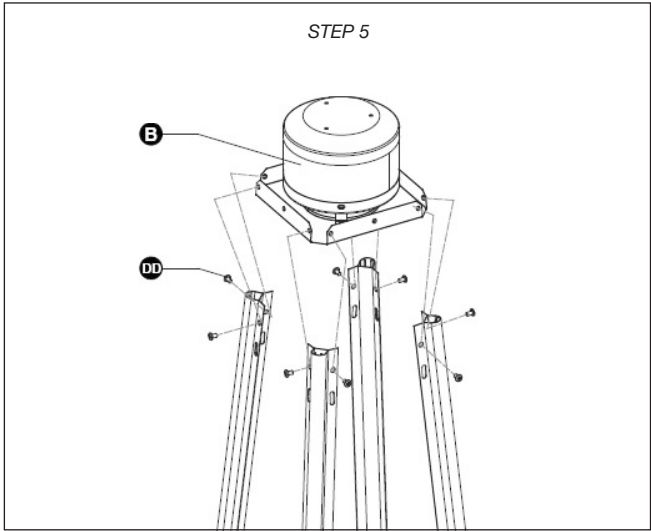
STEP 3



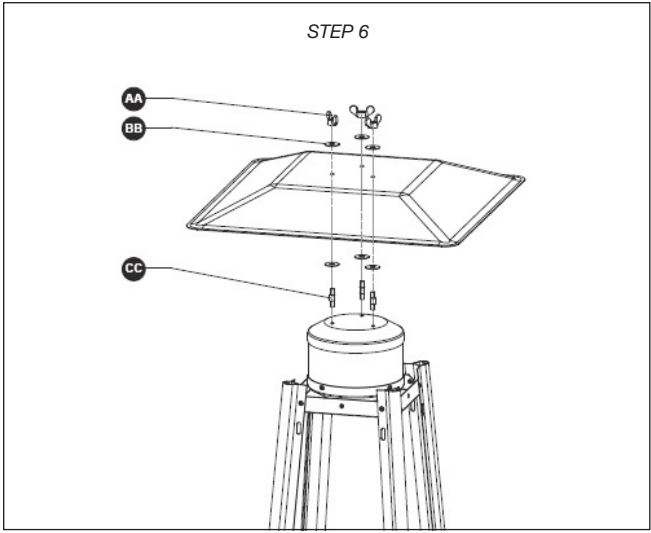
Assemble block belt. Fix the block belt to the 2pcs of lower support behind the front door, using 2pcs screw M5X12.



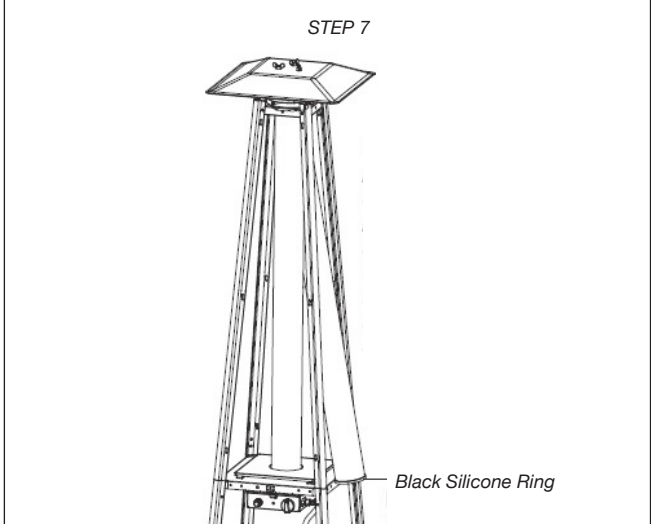
Assemble the middle support.  
Insert the 4pcs upper support to the lower support. Secure them with 8pcs screw 3/16".



Assemble the flame screen to the upper support.  
Secure the flame screen to the upper support using 8pcs screw 3/16".



Assemble the reflector onto the flame screen.  
 Screw the 3pcs stud on to the flame screen, put 3pcs washer  $\Phi 6$  onto the top of the studs, then put the reflector onto the studs.  
 Secure them with 3pcs washer  $\Phi 6$  and 3pcs wing nut.



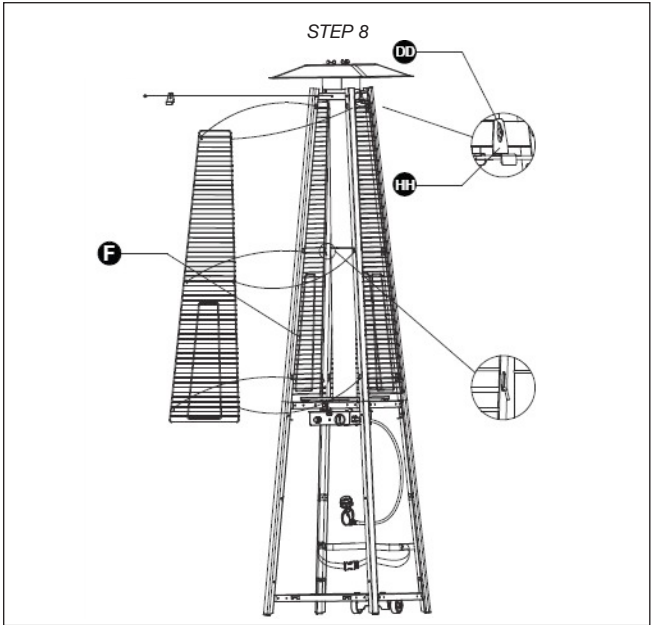
Carefully install the glass tube by lifting up and inserting it through the center hole in the upper plate. Ensure the black silicone ring is attached to the lower edge of the glass tube as illustrated above. Slide the glass tube through the hole of the lower plate cover and onto the middle plate. Check and ensure that the glass tube is positioned properly and is completely covering the center hole of the middle plate.



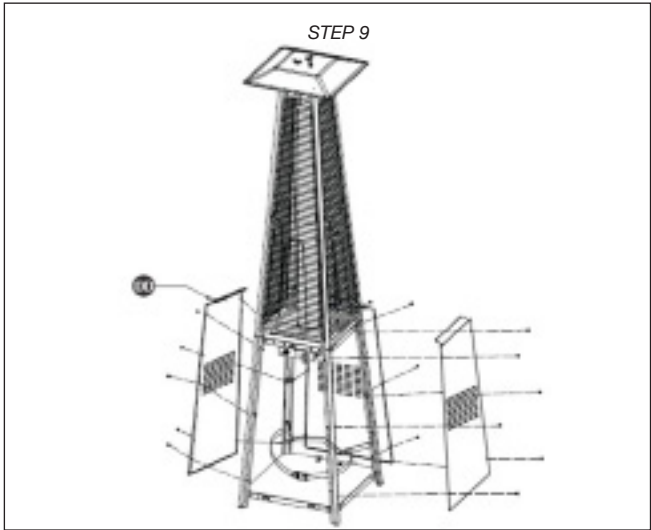
*To aid in installation place black silicone ring on the middle plate and then install glass tube. Ensure the rim of the glass tube sits firmly in the black silicone ring.*



**WARNING!**  
*The black silicone ring must be in place prior to operating the heater.*



Assemble the protective guard. Hang the hooks of the protective guard onto the holes in the supports. Secure the protective guards with fixing brackets with 4pcs 3/16" screws.

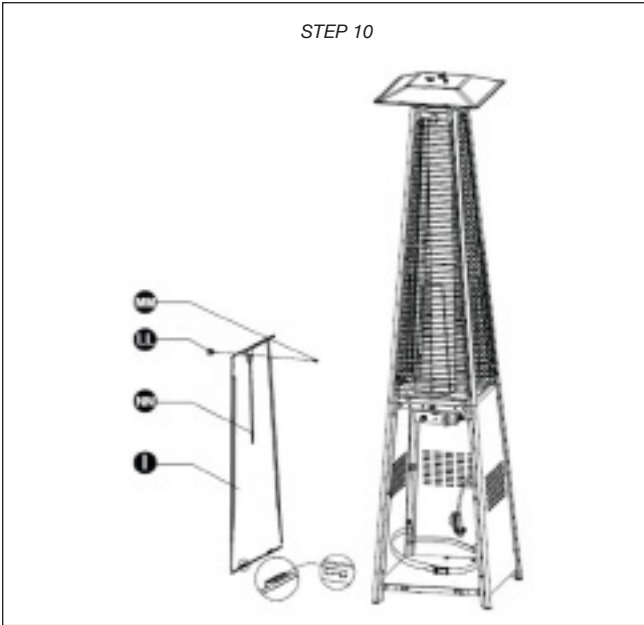


Attach the three side panels to the heater using 18pcs 3/16" screws.



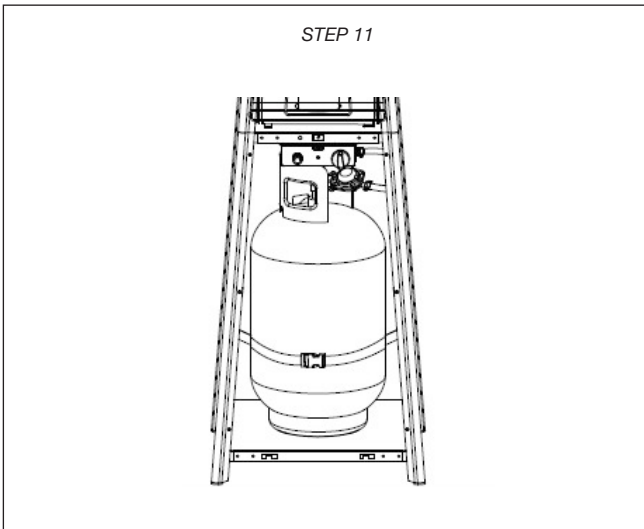
*Note :*  
Do not cover the front side where the control knob is.

STEP 10



Place the control knob onto the M4x10 screw. Hang the chain to the hole on the control box assembly and align the hooks of the front panel to the holes in the bottom plate.

STEP 11

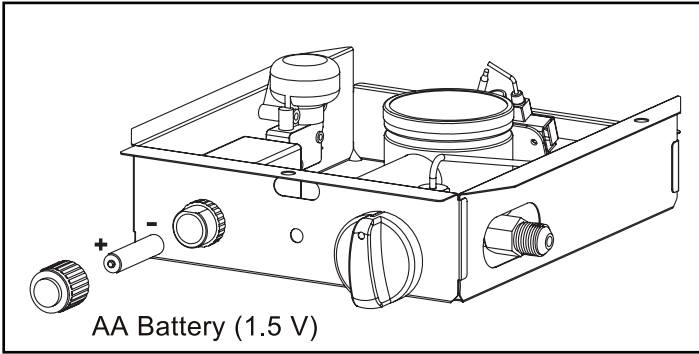


Place the gas cylinder inside the heater. Secure the cylinder with the black belt tightly. Perform a leak test before use.



*Warning :*  
Ensure the hose does not make contact with any high temperature surfaces, or it may melt and leak causing a fire.

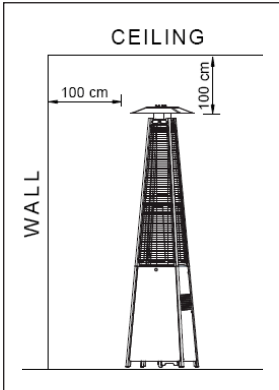
*The LP regulator/hose assembly must be located out of pathways where people may trip over it or in an area where the hose will not be subject to accidental damage.*



Unscrew the switch button, load small battery, tighten the switch button.

**WARNING:** This product contains small batteries. Swallowed small batteries can cause **CHOKING HAZARD**. Seek immediate medical attention if batteries are swallowed or inhaled. Keep children away from the small batteries.

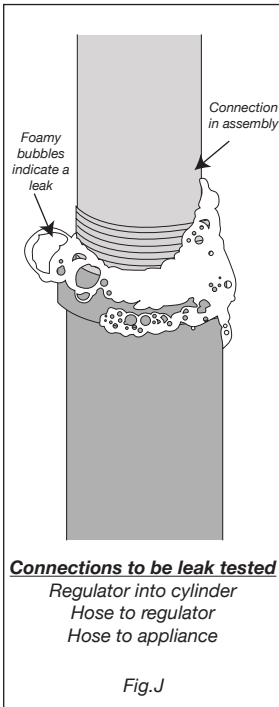
## LOCATION



- FOR OUTDOOR USE ONLY. Always ensure adequate ventilation is provided.
- Maintain proper clearance from combustible materials i.e. 100cm from the sides and top
- Heater must be placed on level firm ground.
- NEVER operate the heater in the vicinity of combustible materials.
- Use base screws to anchor the unit if there is a possibility of strong wind.

## LEAK TEST

The leak test must be carried out in a well-ventilated area, free from any flames or other sources of ignition.



- With the cylinder connected to the heater. Open the cylinder valve.
- Brush the connections (heater to cylinder) with a solution of equal parts soap and water (make sure it's foamy).
- A stream of bubbles forming indicates a gas leak. (See Fig.J)
- If bubbles appear, turn the cylinder valve OFF (clockwise) and disconnect the heater from the gas cylinder.
- Tighten the connection and retry the leak test.
- If you are unsure or if you cannot tighten the connection, place the cylinder outside in a cool, well-ventilated area and contact Alva on **086 100 ALVA (2582)**.
- A leak between the heater and cylinder can lead to a high pressure fire, which is very dangerous and can result in extensive injury or even death.

How to do  
a leak test



<http://www.youtube.com/watch?v=8LpZ1B0m23Y&feature=plcp>



**FOR YOUR SAFETY  
IF YOU SMELL GAS**

- Turn off the gas supply at the gas cylinder.
- Extinguish all naked flames. **DO NOT** operate any electrical appliances.
- Ventilate the area.
- Check for leaks (see LEAK TEST)
- If odour persists, contact your dealer or local gas supplier immediately.



*Before proceeding to ignite the heater, make sure you understand the "IMPORTANT SAFETY INFORMATION" section of this manual.*



## USING YOUR HEATER



*Smoke and odour caused by the heating of oils used during manufacturing will occur when lighting the heater for the first time. This is normal and there is no reason for alarm. Avoid inhaling the fumes!*

*The smoke and odour should dissipate within 3 - 4 minutes.*

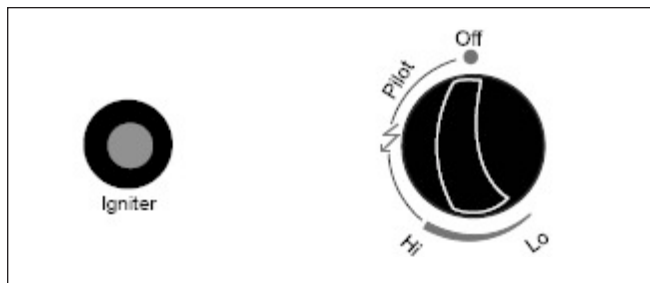
*Check the heater immediately if any of the following occurs:*

- *The heater does not reach temperature.*
- *The burner makes popping noise during use (a slight noise is normal when the burner is extinguished).*
- *Smell of gas in conjunction with extreme yellow tipping of the burner flames.*

### Lighting of the Patio Heater:

1. Check all the connections for leaks or damage prior to each use.
2. Open the gas cylinder valve 1½ turns (anti-clockwise).
3. Press down the variable control knob and turn it to the "PILOT" position, keeping it depressed for 30 seconds. While holding down the variable control knob, press the igniter button several times until the pilot flame lights. Release the variable control knob after the pilot flame lights.  
Note:
  - If a new gas cylinder has just been connected, please allow at least one minute for the air in the gas pipeline to purge out through the pilot hole.
4. After the pilot flame lights, turn the variable control knob to maximum position and leave it there for 5 minutes or more before turning the knob to desired temperature position.
5. If the heater does not ignite the first time, wait for 5 minutes and repeat the lighting instructions. If you still experience ignition problems, contact 086 100 ALVA (2582) for assistance.

### Turning the Patio Heater Off:



1. Turn the variable control knob to PILOT position.
2. Press and turn the variable control knob to OFF position.
3. Close the cylinder valve (clockwise).
4. DO NOT attempt to relight the heater for at least 10 minutes.

## **FLASHBACK (flames in the burner tube)**

If a flash back occurs (indicated by a roaring noise), immediately close the cylinder valve.

- Turn the heater OFF at the control knob.
- Disconnect the regulator and allow the heater to cool.
- Check for blockages in the burner head. Clean with compressed air, a small soft brush or pipe cleaners.
- If the problem persists, have the heater checked by a qualified technician.

## **CHANGING YOUR CYLINDER**

Make sure you cylinder valve is closed (by turning it clockwise). Allow the heater to fully cool before replacing the cylinder. Open the heater to expose the cylinder.

Remove and replace the cylinder.

ALWAYS check that the regulator-sealing washer (nose cone) is intact and in place before reattaching the regulator to a cylinder. (Figure B - Page 6)

DO NOT attempt to remove the regulator while the heater is on or if the cylinder valve is not closed.

## MAINTENANCE

- Always make sure the heater is OFF and cool, with the cylinder valve closed, before conducting any maintenance.
- Your heater should be checked once a year by a qualified technician.
- If faults are suspected or detected, stop using the heater and contact ALVA.
- Clean the exterior and storage area of your heater when required to remove dust.
- DO NOT use abrasive products to clean the heater; these may damage the paint work and stainless steel finish.
- Check the burner and remove any debris, dirt, spider webs or wasp nests from the burner ports by using compressed air or a pipe cleaner. DO NOT clean the burner with water or tamper with the jets. If a jet is blocked it must be replaced with an original manufacturer marked jet.
- Replace parts and allow the heater to dry properly before storing.
- If the gas control or ignitor is exposed to water or gets wet, dry it properly before attempting to light the heater. You might have to replace the parts if the heater does not ignite.
- The airflow must not be obstructed. Keep the controls and burner passage clean.

Clean with a soft brush or blow clean with compressed air.

If any part of the heater is in need of replacing, use only original Alva parts. Using any other spare parts is dangerous and will void the warranty.

When the heater is not in use for extended periods, always keep the burner head covered.

Your heater should be checked once a year by a qualified technician. Take special care to retighten any fixtures or nuts and bolts that have come loose.

### Signs of a blockage:

1. Gas odour with extreme yellow tipping of the flame
2. Heater does not reach the desired temperature
3. Heater glow is excessively uneven
4. Heater making popping sounds
5. Heater 'Flashes back' in burner tube

### Cleaning and care

- Wipe off all surfaces with a soft, moist rag. DO NOT clean the heater with combustible or corrosive cleaners.
- Remove debris from the burner to keep it clean and safe for use.

- In order to prolong the life of your heater we recommend oiling all stainless surfaces, with exception of the reflector, flame screen and burner base, on a regular basis. This is especially important near the coast.

### Storage

- Always close the gas valve of the gas cylinder after use or in case of a disturbance.
- Remove the pressure regulator and the hose.
- Check the tightness of the gas valve and for damage. If you suspect a damage, have it changed by your gas dealer.
- Never store liquid gas cylinder in a sub-terrain, or at places without adequate air ventilation.

Store the heater in a cool dry place. If in a coastal area extra care must be taken in selecting the storage area as rust will occur if exposed to the elements. Disconnect the cylinder and store separately in a protected dry and cool place.

Alva recommends that you cover your heater.

## FREQUENTLY ASKED QUESTIONS

**Q: Why is there an odour when I use a gas heater?**

A: All gas appliances give off an odour. This could be harmful if inhaled for extended periods of time. This “smell” is normal, and it does not mean that you have a gas leak. The smell of raw gas (just before you ignite the appliance) differs to the smell coming from the heater when it is in use. The odour is added to allow easy gas detection.

**Q: Why must there be ventilation when using a gas heater?**

A: Whenever fuel (LP Gas in this case) is burned, ventilation is needed. Any fire needs oxygen to burn. Think of a fireplace, you require a chimney or flue for the smoke to exit the house. Even though a gas heater does not generate smoke, it still generates carbon monoxide and carbon dioxide, which can be dangerous if not diluted by fresh air. Always ensure adequate ventilation by leaving a door or window open in the same room.

**Q: What do I do if I have an over-filled cylinder?**

A: The best method to determine if your cylinder is over-filled is to weigh it. Subtract the ‘tare’ mass from the cylinder weight – this gives you the weight of your gas. If this gas weight exceeds your cylinder design weight (9kg) then return the cylinder to your gas supplier.

**Q: How long will the gas in my cylinder last?**  
**A:** This depends on how you use your heater. It is easy to calculate your gas consumption. Take the capacity of the gas cylinder in grams (i.e. 9000g for a 9kg cylinder) and divide it by the gas consumption of the heater, on your desired setting (refer to the Technical Data section in this manual (page 13). The answer to the calculation is the approximate number of hours that your heater will burn for.

**TROUBLE SHOOTING GUIDE**

Burner will not light	Pressure is low	Gas cylinder near empty. Refill LPG cylinder.
	Opening blocked	Remove and clean
	Control not ON	Turn valve to ON
	Thermocouple bad	Replace thermocouple
	Not in correct location	Position properly and retry

**SPECIFICATIONS**

Model	ALVA GHP20	GS
Type of Gas	LPG	
Operating pressure	2.8kPa	
Injector size	1.65mm (Main burner) 0.18mm (Pilot burner)	
Gas Consumption	945gr/hr at MAX	
Heat output	13kW	
<p>This appliance operates with a Bullnose 5/8" BSP left hand thread with a 2.8kPa SANS 1237 approved 1kg/hr flow rate regulator. Regulator supplied.</p>		



*How to test if your cylinder is overfilled*



<http://www.youtube.com/watch?v=Ya-vsYE8nzCw&feature=plcp>

## AFTER SALES SERVICE

MANUFACTURED FOR AND DISTRIBUTED BY  
Alva, a division of Stingray Accessory Manufacturers (Pty) Ltd  
P.O. Box 30014  
Tokai, 7966  
Tel: 021 442 1540  
E-mail: [info@stingray.co.za](mailto:info@stingray.co.za)  
[www.alva.co.za](http://www.alva.co.za)  
 [/alvagas](https://www.instagram.com/alvagas)  
 [www.facebook.com/AlvaGas](https://www.facebook.com/AlvaGas)

TOLL FREE NUMBER  
**086 100 ALVA (2582)**