

ALVA

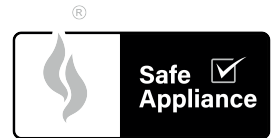
INSTANT INFRARED HEATER
IDEAL FOR CAMPING AND DOMESTIC USE

GCH001



Your world is better with Alva

- THIS HEATER OPERATES DIRECTLY ON A DOMESTIC CYLINDER WITH A 3/8" VERTICAL EXIT VALVE. (ALVA 3kg OR 4.5kg SIZE) DO NOT USE AN INDUSTRIAL CYLINDER WITH A 5/8" HORIZONTAL EXIT VALVE.
- FOR YOUR OWN SAFETY, PLEASE READ THIS MANUAL CAREFULLY AND ALWAYS OPERATE HIS PRODUCT ACCORDING TO THE INSTRUCTIONS
- IT IS ILLEGAL AND DANGEROUS TO CHANGE OR MODIFY ANY PART OF THIS APPLIANCE
- FOR OUTDOOR USE ONLY.



APPROVED FOR USE IN
SOUTH AFRICA

Manufactured for and distributed by: **ALVA** A division of Stingray Accessory Manufacturers (Pty) Ltd | P.O. Box 30014, Tokai, 7966 | +27 21 442 1540
info@stingray.co.za | www.alva.co.za | TOLL-FREE NUMBER: 086 100 ALVA (2582)

 /AlvaGas

 /alvagas

IMPORTANT SAFETY INFORMATION

As with all gas appliances, misuse of this appliance or failure to fully follow these instructions may cause fire, injury or death. Please read all the instructions before using your gas heater. Retain this manual for future reference.

- THIS UNIT MUST BE THOROUGHLY CHECKED BEFORE USE.
- Ensure that all the gas fittings are correctly and firmly fitted before every use.
- DO NOT use this heater if you do not clearly understand the instructions and/or how to operate the controls.
- Phone the customer care line at 086 100 ALVA (2582) for assistance.
- FOR OUTDOOR USE ONLY
- Use only in well ventilated areas.
- DO NOT use in basements, confined space or underground areas.
- Some parts of this heater may get excessively hot during operation. Keep infants, young children and the infirm at a safe distance from the the heater while in operation.
- DO NOT leave the heater unattended while in use.
- Ensure that the gas supply is turned OFF after use and while the heater is unattended.
- DO NOT move the heater while in use.
- DO NOT place objects on or against the heater.
- DO NOT attempt to use the heater for any purpose other than for which it is intended (e.g. DO NOT attempt to cook on the heater)
- DO NOT use a naked flame to test for leaks. Follow the Leak Testing procedure outlined under 'LEAK TEST'.
- NEVER use this heater with a cylinder other than the size recommended.
- DO NOT touch the dress guard (front wire grill), as it gets very hot, while in use or after it has been switched off and is cooling. The dress guard does not give protection. No part of the dress guard should be removed or changed.
- DO NOT unscrew the heater while the heater is on or if the cylinder valve is open.
- DO NOT use a heater you suspect is faulty.
- For safety reasons, only a qualified technician may execute maintenance and repairs. The warranty for the heater will be rendered void if the heater is serviced or repaired by any one other than an Alva appointed technician.
- The heater should be inspected once a year by a qualified technician, to make sure the unit is safe and fault free.
- The operator is responsible for the safety of all third parties while the heater is in use.
- Note: There is a small hole in the mesh. This is normal.



Please read the instructions carefully before use.

Retain this manual for future reference.

INDEX

WARRANTY	2
GENERAL INFORMATION	2
METHOD OF ASSEMBLY (USE WITH PARTS LIST)	2
PARTS LIST	3
IGNITION	4
END OF OPERATION (TO TURN OFF YOUR HEATER)	4
MAINTENANCE	4
FLASHBACK (flames in the burner tube)	5
LEAK TEST	5
FREQUENTLY ASKED QUESTIONS	6
TROUBLESHOOTING	7
AFTER SALES SERVICE	7
TECHNICAL DATA	8

KEY



Important information



Cautions and warnings.



Danger



*Contact an approved
ALVA technician.*



Do It Yourself

WARRANTY

This unit is covered by a 12-month repair warranty from date of purchase. Proof of purchase will be required with all warranty claims. Any repairs, modifications or tampering with this appliance by an UNAUTHORISED person will void the 12-month repair warranty. This heater is intended for domestic use only, not for any industrial use.

DO NOT RETURN THIS PRODUCT TO THE PLACE OF PURCHASE.

If you have any questions while setting up or using this heater, please visit www.alva.co.za or call 086 100 ALVA (2582) or e-mail info@stingray.co.za.

GENERAL INFORMATION

Before using this heater, please read through this manual and make sure you understand everything. If you are not sure, please call 086 100 2582 or visit www.alva.co.za for help.

This heater is a safe and efficient form of heating when used according to these instructions.

Reading and understanding this manual should give you a good indication of what to expect from your Alva gas heater. If this product is not what you want or need, please help Alva and the environment by not damaging or destroying any part of the packaging, the manual or the Styrofoam inserts. Always keep your proof of purchase.

Keep these instructions for future use. If you lose this copy, you can obtain a new copy from your dealer or online at www.alva.co.za

METHOD OF ASSEMBLY (USE WITH PARTS LIST)

1. Before screwing the connecting adaptor (8) into the cylinder valve (11), Check:
 - That the sealing washer (7) is in good order and securely fitted on the adaptor (8).
 - Make sure that there are no obstructions in the Venturi portholes.

Thank you for your purchase of this instant infrared heater. Please read these instructions carefully before use and keep them in a safe place, for future reference.

Not using gas and/ or gas appliances according to the instructions is extremely dangerous and can lead to property damage, injury or death.

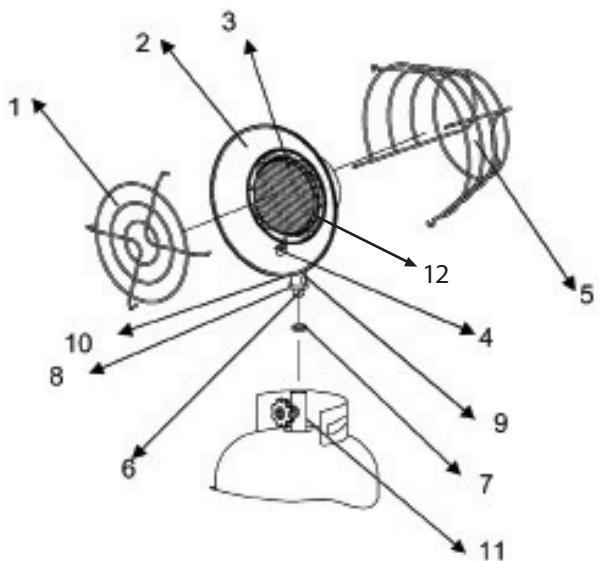
WARNING

This heater operates directly on a domestic cylinder with a 3/8" VERTICAL exit valve. (ALVA 3kg, 4.5kg or 5kg domestic cylinder size)

It is NOT to be used on an industrial cylinder with a 5/8" HORIZONTAL exit valve.

2. Clean the cylinder valve (11) by blowing clean with compressed air or brushing with a small brush, making sure there is no dust or dirt in the valve exit. Failure to do this may result in the blockage of the jet (6).
3. Screw the heater directly into the cylinder valve (11), ensuring a gas tight seal.
(Hand tighten only - DO NOT use a spanner).
4. Place the cylinder on a flat sturdy surface.
5. Perform Leak Test. (see Page 5)

PARTS LIST



1	Front Grill		2	Rear guard reflector	
3	Burner Mesh		4	Ignition hole (point)	
5	Rear heat guard		6	Jet	
7	Neoprene sealing washer		8	Connecting adaptor	
9	Venturi Portholes		10	Burner tube	
11	Cylinder valve		12	Hole in Mesh	

IGNITION

1. Stand behind the heater
2. Strike a match or ignite your lighter first
3. Direct the flame into the ignition hole/point (4)
4. Open the cylinder valve slightly. You will hear gas flowing. **DO NOT OPEN THE VALVE FULLY.** Open the valve only enough to achieve a good burn.
5. Make sure the heater ignites (an even red glow will form on the burner mesh) before opening the cylinder valve further for the desired heat setting.

END OF OPERATION (TURNING OFF YOUR HEATER)

Close the cylinder valve and allow the heater to cool down before storing in a cool, dry place.

MAINTENANCE

On a regular basis (we recommend every time the cylinder is changed), CHECK the following:

1. That the sealing washer (7) is in good order and that the Venturi portholes are clear of debris, spider webs and other insect nests.
2. If poor performance is observed, the jet is probably blocked. Unblock by using compressed air or replace the jet. Jets are available from your local gas dealer.
3. If either the heater or the cylinder is faulty, please consult your dealer or call the ALVA after sales service department on the number provided: **086 100ALVA (2582)**
4. Clean the rear guard/reflector with a warm, damp cloth and a little dishwashing liquid. **DO NOT** allow water to get into the burner section.

NEVER store your gas cylinder inside the house, in a cupboard or in warm areas exposed to direct sunlight

DO NOT TAMPER WITH THE JET SIZE BY OPENING WITH A SHARP OBJECT I.E. NEEDLE, ETC.

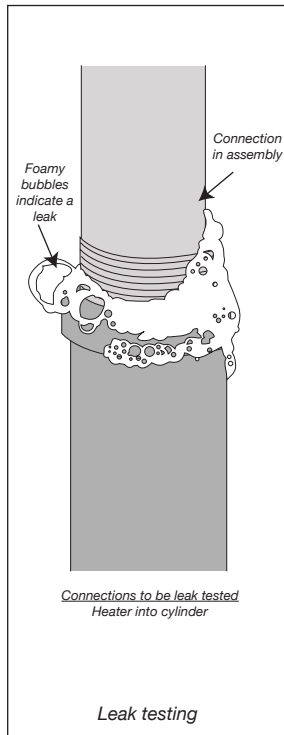
FLASH BACK (FLAME INSIDE BURNER TUBE)

In the event of a flash back occurring in the burner tube (10), (i.e. when the flame burns inside the tube with a roaring sound, instead of outside the burner mesh (3))

1. Immediately turn OFF the gas supply at the cylinder.
1. Once cooled, check for blockages in the burner tube (10) or any obstruction of the Venturi portholes.
2. If any blockage is found, clean with compressed air, a small brush or a pipe cleaner.
3. If the problem re-occurs, take the heater to your local gas dealer for service and repair or phone the ALVA service number provided: **086 100 ALVA (2582)**.

LEAK TEST

The leak test must be carried out in a well-ventilated area, free from any flames or other sources of ignition.



- With the cylinder connected to the heater. Open the cylinder valve.
- Brush the connections (heater to cylinder) with a solution of equal parts soap and water (make sure it's foamy).
- A stream of bubbles forming indicates a gas leak. (See picture alongside)
- If bubbles appear, turn the cylinder valve OFF (clockwise) and disconnect the heater from the gas cylinder.
- Tighten the connection and retry the leak test.
- If you are unsure or if you cannot tighten the connection, place the cylinder outside in a cool, well-ventilated area and contact Alva on **086 100 ALVA (2582)**.
- A leak between the heater and cylinder can lead to a high pressure fire, which is very dangerous and can result in extensive injury or even death.



FOR YOUR SAFETY IF YOU SMELL GAS

- Turn off the gas supply at the cylinder.
- Extinguish all naked flames. DO NOT operate any electrical appliances.
- Ventilate the area.
- Perform a leak test.
- If odour persists, contact your dealer or local gas supplier immediately.

FREQUENTLY ASKED QUESTIONS

Q: Why is there an odour when I use a gas heater?

A: All gas appliances give off an odour. This could be harmful if inhaled for extended periods of time. This “smell” is normal, and it does not mean that you have a gas leak. The smell of raw gas (just before you ignite the appliance) differs to the smell coming from the heater when it is in use. The odour is added to allow easy gas detection.

Q: Why must there be ventilation when using a gas heater?

A: Whenever fuel (LP Gas in this case) is burned, ventilation is needed. Any fire needs oxygen to burn. Think of a fireplace, you require a chimney or flue for the smoke to exit the house. Even though a gas heater does not generate smoke, it still generates carbon monoxide and carbon dioxide, which can be dangerous if not diluted by fresh air. Always ensure adequate ventilation by leaving a door or window open in the same room.

Q: How long will the gas in my cylinder last?

A: This depends on how you use your heater. It is easy to calculate your gas consumption. Take the capacity of the gas cylinder in grams (i.e. 4500g for a 4.5kg cylinder) and divide it by the gas consumption of the heater, on your desired setting (refer to the Technical Data section in this manual (page 8)). The answer to the calculation is the approximate number of hours that your heater will burn for.

Q: What do I do if I have an over-filled cylinder?

A: The best method to determine if your cylinder is over-filled is to weigh it. Subtract the ‘tare’ mass from the cylinder weight – this gives you the weight of your gas. If this gas weight exceeds your cylinder design weight (3kg or 4.5kg) then return the cylinder to your gas supplier.

TROUBLE SHOOTING GUIDE

TROUBLE	CAUSE	REMEDY
Odour	Combustion	N/A - The combustion process will always cause an odour
Strong odour	Incorrect gas mixture	Obtain LPG only from reputable LPG dealers
	Unburned gas leak	Perform a leak test Always ensure there is proper ventilation
Burns then dies	Over-filled cylinder	Return to gas supplier
	Ventilation	Make sure the room has adequate ventilation
	Empty cylinder	Replace with a full cylinder
Heater does not light up	Empty cylinder	Replace with a full cylinder
	No gas flow	Open cylinder valve

AFTER SALES SERVICE

MANUFACTURED FOR AND DISTRIBUTED BY ALVA,
a division of Stingray Accessory Manufacturers (Pty) Ltd
P.O. Box 30014
Tokai, 7966
Tel: 021 442 1540
E-mail: info@stingray.co.za
www.alva.co.za
 www.facebook.com/Alvaelectricsa

TOLL FREE NUMBER 086 100 ALVA (2582)



If you are still unable to correct the problem with the information in this guide, then you need to contact your nearest dealer or manufacturer.



Should you experience problems with this gas heater, carry out the necessary checks as per the Trouble Shooting Guide. If you are still unable to correct the problem with the information in this guide, then you need to contact your nearest dealer or manufacturer.

TECHNICAL DATA

Model	GCH001
Type of Gas	LPG
Jet Size	0.35mm
Gas consumption at Max	369gr/hr
Operating Pressure	Cylinder pressure
Heat output at Max	5.12kW
This heater has been tested and is LPGSASA approved	
Any modification to the heater may cause injury or property damage.	
Any modification to the heater will invalidate the warranty on this appliance.	