

ALVA

INFRARED HEATER WITH TELESCOPIC STAND

EIH620



Your world is better with Alva

PLEASE READ THESE INSTRUCTIONS CAREFULLY
BEFORE USING THIS APPLIANCE AND RETAIN THIS MANUAL
FOR FUTURE REFERENCE.

As with all electrical appliances, certain care is required for safe use.
This heater is designed to operate safely and provide user comfort.

Failure to read and understand these instructions is dangerous and
can lead to property damage, injury and even death.

This appliance must not be modified in any way - doing so is illegal and will
make the appliance unsafe as well as cancel your warranty.

Manufactured for **ALVA** A division of Stingray Accessory Manufacturers (Pty) Ltd | .O. Box 30014, Tokai, 7966 | +27 21 442 1540
and distributed by: info@stingray.co.za | www.alva.co.za | TOLL-FREE NUMBER: 086 100 ALVA (2582)

 /AlvaGas  /alvagas

IMPORTANT SAFETY INFORMATION

As with all appliances, misuse of this appliance or failure to fully follow these instructions may cause fire, injury or death.

Please read all the instructions before using your heater.
If you have any doubt or concerns about this appliance's installation, please consult a qualified electrician.

- Before using this appliance check that the voltage indicated on the type plate corresponds to your mains supply voltage.
- Ensure that the heater has been securely fastened to the mounting /installed securely. This heater can only be used in a fixed position.
- The distance of your appliance from the ceiling is a minimum of 0.7m
- The appliance must be placed 1meter away from a person.
- Please ensure that there is always a method for disconnection from the mains supply. Having a contact separation in all poles is required and must be incorporated in the fixed wiring, in accordance with the wiring rules.
- DO NOT use this heater with a programmer, timer or any other device that switches the heater on automatically. There is a fire risk if the heater is covered or positioned incorrectly.
- The fireguard on this heater is intended to prevent direct access to the heating element and must always be securely in place when the heater is in use.
- The protective grid does not give full protection for young children or infirm persons.
- Always disconnect the heater from the electricity mains when not in use, during installation, cleaning and/or heating element replacement.
- When replacing the heating element, always ensure it has been allowed to cool for at least 30 minutes.
- The heating element is sensitive. Do not handle it with bare hands. If it is inadvertently touched, always remove finger prints with a soft cloth and alcohol before use.
- Always ensure that the power cord is kept away from the body of the heater. The heater body will get very hot while in use and can melt the cable.
- Always inspect the power cord for signs of wear or damage. If wear or damage is noted, a suitably qualified person should replace it immediately. Failing to do so is a hazard and may lead to fire and/or electrocution/electric shock and/or property damage and/or death.
- NEVER allow the cord to come into contact with wet or hot surfaces or become twisted.
- DO NOT damage and DO NOT kink the power cord.
- DO NOT cover or obstruct the heater when in use.
- DO NOT insert any objects through any slot or opening in the heater.
- Users must not disassemble the heater, or change/substitute any parts of this heater; if the heater is faulty it is extremely dangerous to use it.



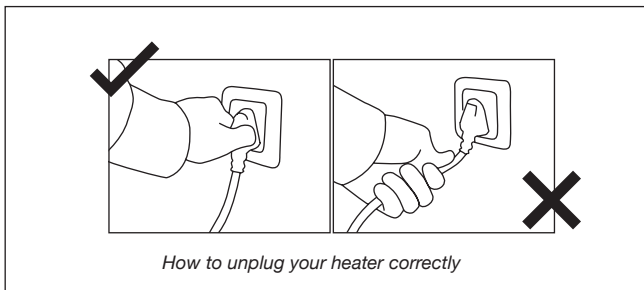
Please read the instructions carefully before use.

Retain this manual for future reference.

This appliance must not be modified in any way - doing so is illegal and it will make the appliance unsafe and cancel your warranty.

- Please take care to dispose of replaced heating element carefully. This can shatter and cause injury if not handled carefully. Keep away from children at all times.
- Keep the heater a distance of at least 1 Meter from any combustible material, such as furniture, curtains, bedding, clothes or paper.
- Keep the heater clean. DO NOT allow objects to enter the openings, as this may cause electric shock, fire or damage the heater.
- NEVER touch the appliance with wet or damp hands or feet.
- NEVER expose the appliance to atmospheric conditions (rain, sun, etc)
- DO NOT use the appliance for anything other than its intended use.
- DO NOT use this heater in the immediate surroundings of a bath, a shower or a swimming pool.
- Any repairs that need to be done to the heater must be referred to an authorized service agent only.
- DO NOT connect the appliance to multiple extension cords or multiple outlets.
- This heater is not equipped with a device to control the room temperature. DO NOT use this heater in small rooms when they are occupied by persons not capable of leaving the room on their own, unless supervised.
- This heater must not be located immediately below a socket-outlet.

Ensure that children do not play with this heater. This appliance is not intended or designed for use by persons (including children) with reduced physical, sensory or mental capabilities or lack of experience and knowledge, unless they are supervised or given instruction concerning use of this appliance by a person responsible for their safety. If the power supply cord is damaged, it must be replaced with a special cord or assembly, available from the manufacturer or its service agent.



To remove from the socket pull on the plug, not the electrical cord



It is unsafe to mount this heater where it is close to a baffle plate or any other combustible material.

Keep combustible materials such as furniture, paper, clothes and curtains at least 1m from the front, sides and rear of the heater.

We recommend a waterproof and indoor socket be used.

INDEX

WARRANTY	2
GENERAL INFORMATION	2
PARTS LIST	3
PARTS DIAGRAM	4
INSTALLATION	5 - 6
USING YOUR HEATER	7
USING YOUR REMOTE	8 - 10
MAINTENANCE	11 - 12
TROUBLE SHOOTING	12
TECHNICAL DATA	13
AFTER SALES SERVICE	13

KEY



Important information



Cautions and warnings.



Danger

ALVA

*Customer Care
086 100 ALVA (2582)*



Do It Yourself

WARRANTY

PLEASE RETAIN YOUR PROOF OF PURCHASE FOR WARRANTY CLAIMS.

ALVA warrants this appliance to be free of defects in material and quality for a period of 12 months from date of original purchase. This warranty covers the intended use of this appliance – within a domestic setting and not for commercial or industrial purposes. Any damage caused by wilful abuse, tampering, modification or unauthorized repair will not be warranted.

Please retain all packaging material, as items returned without original packaging material may be subject to a withholding fee. Where this appliance is found to be defective, damaged, broken, or does not work correctly for the intended purpose, you must return the appliance to the retailer from where it was purchased. The warranty will only be effected with valid proof of purchase. Failure to provide the proof of purchase will most likely result in the repair or service required being chargeable.

If you have any questions while setting up or using this heater, please visit www.alva.co.za or call 086 100 ALVA (2582) or e-mail info@stingray.co.za

GENERAL INFORMATION

Before using this heater, please read through this manual and make sure you understand everything. If you are not sure, call **086 100 ALVA (2582)** or visit www.alva.co.za for help. This heater is a safe and efficient form of heating when used according to these instructions.

Reading and understanding this manual should give you a good indication of what to expect from your Alva heater.

If this product is not what you want or need, please help Alva and the environment by not damaging or destroying any part of the packaging, the manual or the Styrofoam inserts.

Always keep your proof of purchase. Keep these instructions for future use. If you lose this copy, you can obtain a new copy from your dealer or online at www.alva.co.za.

ALVA

Thank you for your purchase of this heater. Please read these instructions carefully before use and keep them in a safe place, for future reference.



Not using appliances according to the instructions is extremely dangerous and can lead to property damage, injury or death.

For indoor use only.

DO NOT use within 1m of any flammable surfaces.

DO NOT store flammable materials near the heater.

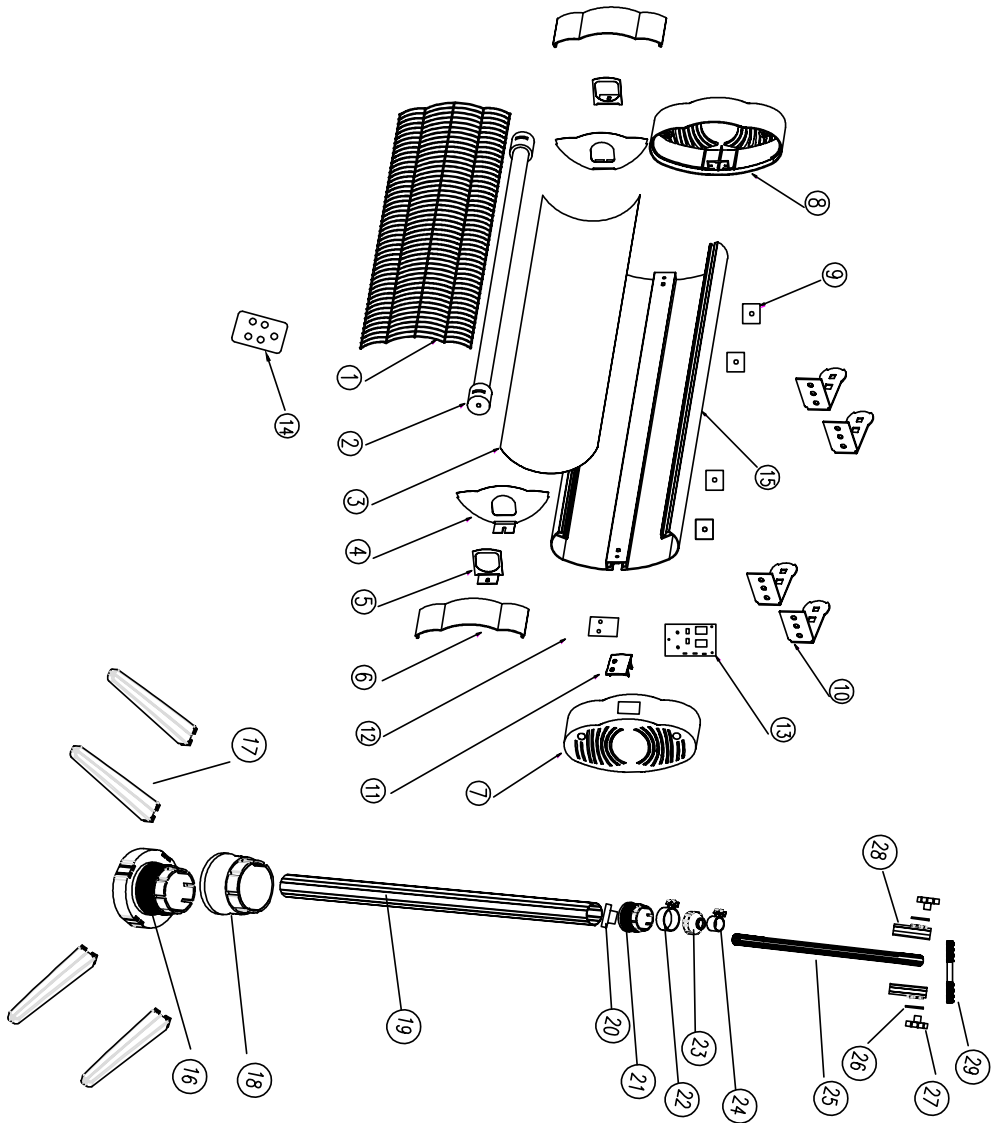
PARTS LIST

1	Mesh	1x
2	Heater Element	1x
3	Reflector Board	1x
4	Side Reflector board	2x
5	Heating element fixed holder	2x
6	Small cover board	2x
7	Right cover	1x
8	Left cover	1x
9	Square Nuts	4x
10	Fixed holder	4x
11	Display cover	1x
12	Display cover protection	1x
13	PC Board	1x
14	Remote control	1x
15	Reflector	1x
16	Big tube fixed holder	1x
17	Feet	4x
18	Big tube fixed cup	1x
19	Big tube	1x
20	Center axle sleeve	1x
21	Small tube holder	1x
22	Big line card	1x
23	Small tube fixed cap	1x
24	Small line card	1x
25	Small tube	1x
26	Washer	2x
27	Fixed knob	2x
28	Positioning axle sleeve	2x
29	Positioning screw	1x

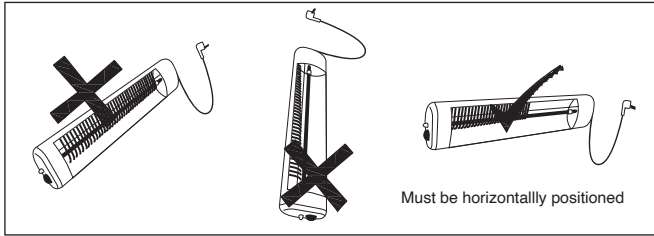


Always ensure that the heater is unplugged when not in use, installing, cleaning and replacing the emitter.

PARTS DIAGRAM



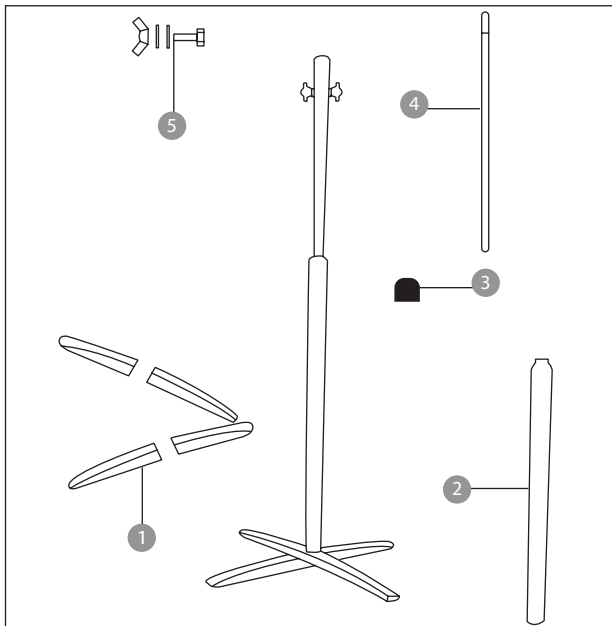
INSTALLATION



Please select the location carefully, allowing 1m clearance from any combustible surface. The distance of your appliance from the ceiling is a minimum of 0.7m. The appliance must be placed 1m away from a person. Please do not extend the power cord.

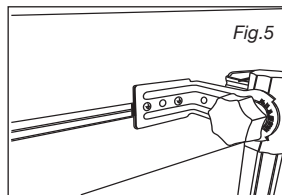
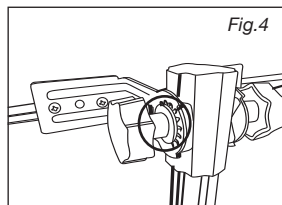
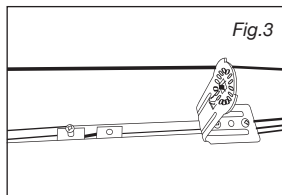
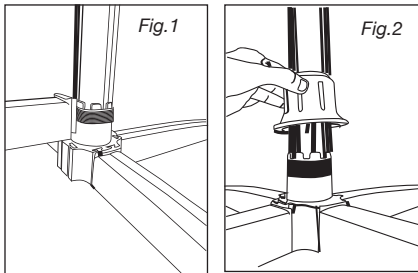
This appliance must be earthed.

Always make sure that there is no power connected to the heater during installation. The heater is to be installed in a strictly horizontal position.



1	Foot bottom
2	Bottom pole
3	Telescopic extension pipe fixed nut
4	Telescopic extension pipe
5	Product connecting bolts

1. Slide the 4 feet fully down into the groove of the bottom mount as shown. (Fig 1)
2. Screw the collar into position to prevent 4 feet from coming out. (Fig 2)
3. Attach angle brackets to heater head as shown in (Fig 3) Do not tighten screws so the brackets can still slide on heater head.
4. Attach heater head to the top of the stand of the pipe using plastic head bolt & nut. Place washer on outside of bracket. (Fig 4)
5. Slide heater head so its central on mounting point & lock 4x screws to secure as shown in (Fig 5)

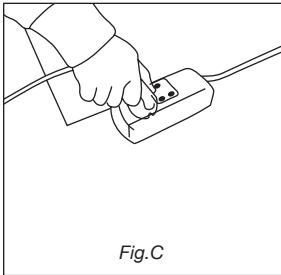


Risk of fire:
 Keep combustible materials such as furniture, paper, clothes and curtains at least 1m from the heater.

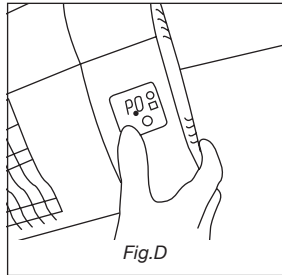
DO NOT use/install this heater in the immediate surroundings of a bath, shower or swimming pool.

USING THE HEATER

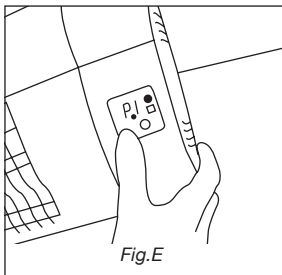
- Place heater on level ground so it is stable & cannot fall over
- Adjust the height of your heater by loosening the adjuster collar, slide top tube to desired height & lock the adjuster collar by turning clockwise
- Adjust the angle of the heater head by loosening the plastic bolt & nut slightly and angling head through preset adjustments. Tighten plastic bolt & nut to lock in position.
- For safety, place the power cable into the two plastic clips on the stand pole.



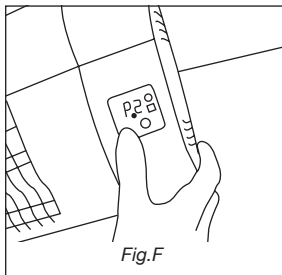
1. Connect the plug to the wall socket, when wall socket is switched on the red indicator light on the heater will illuminate. (Figure C)



2. Press Power button once the digital screen shows **P.0**, standby mode. (Figure D)



3. Press Power button once again, the digital screen shows **P.1** for low heat setting. (Figure E)



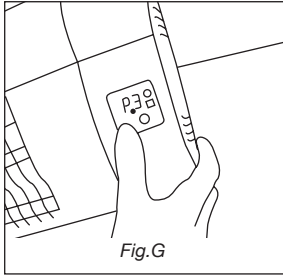
4. Press Power button once again, the digital screen shows **P.2** for medium heat setting. (Figure F)



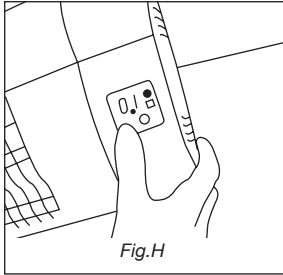
Before proceeding to use the heater, make sure you understand the "IMPORTANT SAFETY INFORMATION" section of this manual.



When using your heater there may be a slight humming noise, this is normal.



5. Press Power button once again, the digital screen shows **P.3** for High heat setting (Figure G)

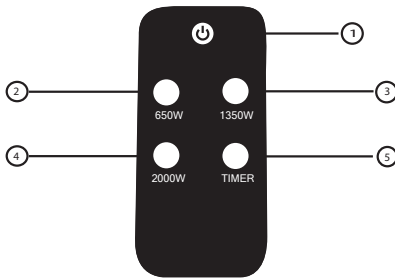


6. Once you have selected your function the 1 - 24 hour shut down can be set. The digital screen showing **0.1** indicates 1 hour and **0.2** indicates 2 hours. (Figure H)

Press Timer button each time to advance by 1 hour.

USING YOUR REMOTE

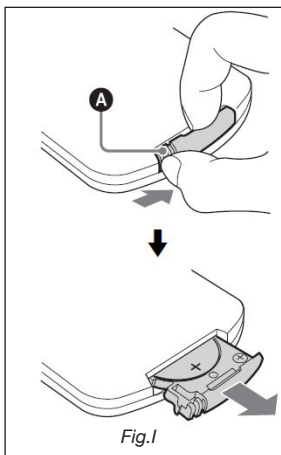
The functions of the heater can be controlled using your remote control and digital screen.



- | | |
|--------------------|---|
| 1. On/Off: | Puts the heater on or off/off standby |
| 2. Low Heat: P1 | You can choose a low heat setting. (650W) |
| 3. Medium Heat: P2 | You can choose a medium heat setting. (1350W) |
| 4. High Heat: P3 | You can choose a high heat setting. (2000W) |
| 5. Timer off: | Switches the heater off in preset time and starts standby mode. |

1. Turn the power on, the unit will beep once. The digital screen and the indicator will now display. Once this happens press the On/Off button to enter standby mode.
2. Press the function button to select your power level. The **P.0** indicator will appear on the screen and will flash 3 times, indicating that the appliance is in Standby mode. Pressing the function button again to activate the heater. The **P.1** indicator will appear on the screen and will flash 3 times, indicating that the appliance is in low heat mode. Press the function button again to select medium heat, the buzzer will beep once, the **P.2** indicator will appear on the screen and flash 3 times to indicate medium heat has been selected. Press the function button again to select high heat, the buzzer will beep once, the **P.3** indicator will appear on the screen and flash 3 times to indicate high heat has been selected.
3. To use the timer, enter standby mode. In Standby mode, press the timer button. The appliance can be set from 1 to 24 hours. Once the time has been set the indicator will light up, indicating that the timer function has been selected. **0** indicates that no time has been set.
4. To view the current time, press the timer button, this will display the present setting time. The indicator will flash 3 times to show that the appliance has entered timer setting mode.
5. When the appliance is on, the screen will always display the power setting (**P.1 - P.2 - P.3**)

Inserting batteries into the remote control



Remove the battery cover from the back of the unit and insert the batteries in accordance with the polarity of the batteries . (Figure 1)

Replace the old batteries with the same type of batteries or the heater function may be impaired.

Remove the batteries before long periods of non-use to prevent leakage which will damage the remote control.



Replacement
Battery
CR2025

Available from
www.stingray.co.za

Heating recommendations

Set the heat level dependent on the area you wish to heat

- It is recommended to set the heat to HIGH when installed in large rooms or open areas.

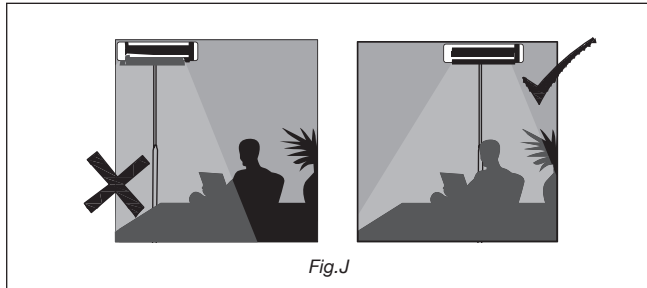


Fig.J

Direct the heater using the appropriate angle. (*Figure J*)

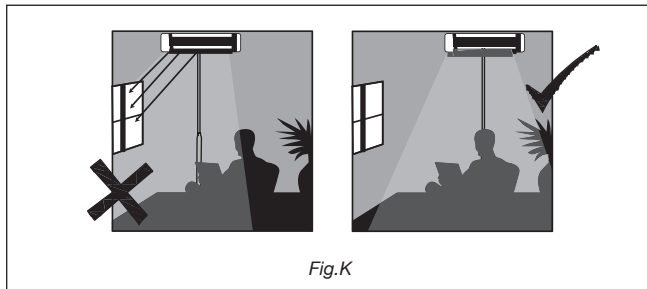


Fig.K

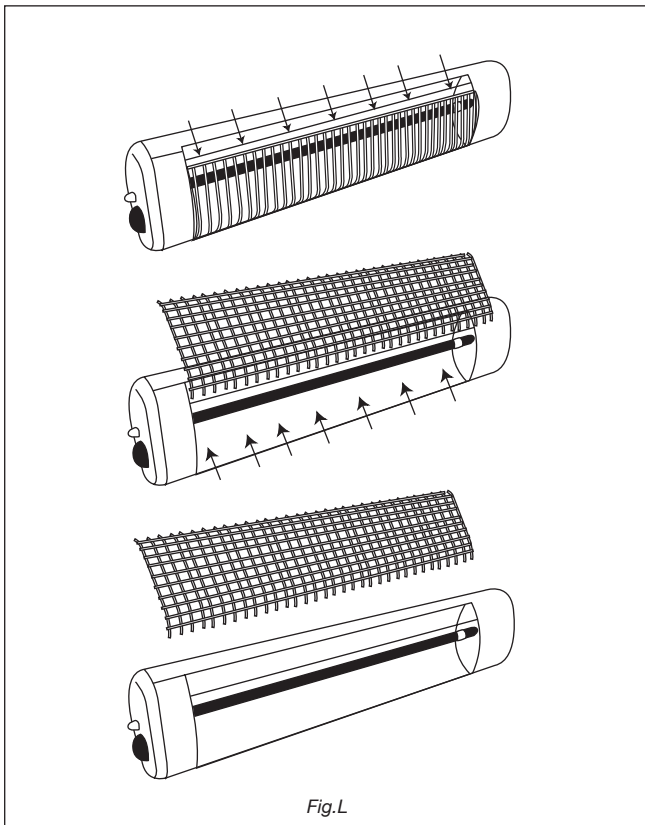
Prevent the loss of direct heat through windows. (*Figure K*)

MAINTENANCE

It is necessary to periodically wipe the heater and the reflector, depending on the placement and circumstances of its use.

Cleaning the reflector:

1. Disconnect the power supply cable from the socket.
2. Remove the protective grid from the heater body.
(Figure L)
3. Wipe the reflector using a soft detergent treated cloth.



Be sure the heater is fault free:

1. Check the electric wiring is properly connected.
2. Ensure that the wire is undamaged.
 - Your heater should be checked once a year by a qualified wiring technician.
 - If faults are suspected or detected, stop using the heater and contact ALVA.
 - Clean the exterior of your heater when required to remove dust.
 - DO NOT use abrasive products to clean the heater; these may damage the heater surface.
 - Always make sure the heater is OFF and cool before conducting any maintenance.
 - The Safety bar does not give full protection for young children or infirm persons.
 - Always disconnect the heater from the electricity mains when not in use, during installation and cleaning.
 - The heating element is sensitive - avoid handling it and always clean finger prints with alcohol, before operating the heater.

TROUBLESHOOTING

SYMPTOM	CAUSE	SOLUTION
Heater will not turn ON	Not plugged in	Plug in and switch on socket.
	Heating element faulty	Replace heating element
	Not switched ON	Switch ON



If any part of the heater is in need of replacing, use only original Alva parts. Using any other spare parts is dangerous and will void the warranty.

When the heater is not going to be used for an extended period of time, always unplug it.




*For replacement heating element
Please contact
ALVA SERVICE
CENTRE
086 100 ALVA (2582)*

TECHNICAL DATA

Item number	EPH620
Voltage (V) Hz	220-240V -50Hz
Electric power	2000W
Minimum distance from ceiling	0.7m
Minimum distance from side wall	1m
Insulation class	Class I
Ingress protection	IP20
Heating Area	50m ²

AFTER SALES SERVICE

MANUFACTURED FOR AND DISTRIBUTED BY
Alva, a division of Stingray Accessory Manufacturers (Pty) Ltd.
P.O. Box 30014
Tokai, 7966
Tel: 021 442 1540
E-mail: info@stingray.co.za
www.alva.co.za
 www.facebook.com/AlvaGas

TOLL FREE NUMBER **086 100 ALVA (2582)**



Please note that the replacement heating element spare is available from Alva. 086 100 ALVA (2582)