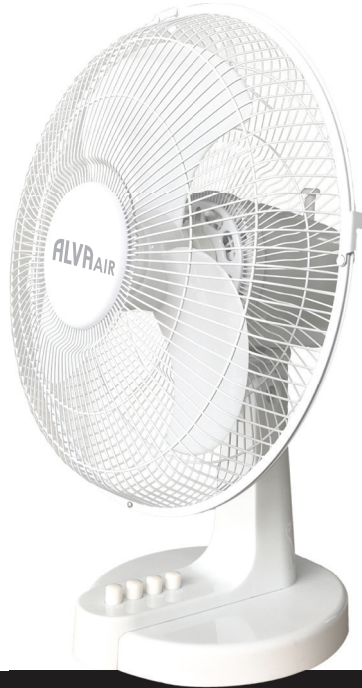


ALVA AIR

30cm DESK FAN

ACS205



- PLEASE READ THIS MANUAL CAREFULLY BEFORE USE AND ALWAYS OPERATE THIS PRODUCT ACCORDING TO THE INSTRUCTIONS
- RETAIN THIS MANUAL FOR FUTURE REFERENCE
- IT IS ILLEGAL AND DANGEROUS TO CHANGE OR MODIFY ANY PART OF THIS APPLIANCE

Manufactured for
and Distributed by: **ALVA AIR**

A division of Stingray Accessory Manufacturers (Pty) Ltd | P.O. Box 30014, Tokai, 7966
+27 21 442 1540 | info@stingray.co.za | www.alva.co.za
TOLL FREE NUMBER: 086 100 ALVA (2582)

 /Alvagas

IMPORTANT SAFETY INFORMATION

Please read these instructions carefully before using your Desk Fan. The operator must understand all safety requirements as detailed in this manual before using the unit.

The manufacturer's warranty may be voided by incorrect use of this product. If you have any queries regarding these instructions, contact your local dealer for clarification before using your Desk Fan.

Always remove unit from all packaging materials prior to use.

Failure to follow the manual's instructions could result in damage or serious injury.

When using electrical appliances, in order to reduce the risk of fire, electric shock, and/or injury, these basic safety precautions should always be followed.

This product is intended for general domestic use to cool rooms and is not intended for use in windows.

Do not use the product for any other purpose.

Keep the product out of the reach of children and pets. This product is not intended for use by children.

Do not leave the product unattended while it is in use, especially when children are present. Always unplug the product from the electrical outlet when it is not in use.

Always operate the product on a flat, level, steady and stable surface to avoid it overturning.

Do not hang or wall-mount the product.

Do not place the product in or near an open window. Rain, snow, and other weather elements may create an electrical hazard.

Keep the power cord and product away from sharp edges and heated surfaces.

Always unplug the product from the electrical outlet when cleaning it.

Thank you for your purchase of this Desk Fan, Please read these instructions carefully before use and keep them in a safe place, for future reference.



WARNING:
TO AVOID THE RISK OF ELECTRICAL SHOCK, ALWAYS MAKE SURE THE PRODUCT IS UNPLUGGED FROM THE ELECTRICAL OUTLET BEFORE ASSEMBLING, DISASSEMBLING, RELOCATING, SERVICING, OR CLEANING.

For indoor use only.



Assembly required

Do not plug/unplug the product into/from the electrical outlet with a wet hand. Never insert fingers or any other object through the fan guards. Never drop or insert objects into any opening of the product.

Do not attempt to open any part of the motor housing, as a risk of electrical shock may exist.

Never operate the product without the fan guards in place, as serious personal injury may result. Plug the product into a standard outlet.

Do not allow the power cord to hang (i.e., over the edge of a table or counter) where it may be tripped over or pulled.

Do not operate product if the power cord is cut, damaged, or if the wires are exposed. Contact 086 100 ALVA (2582) or an Authorised Service agent to replace the power cord.

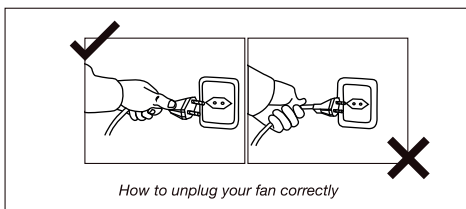
Do not immerse or expose the motor housing, power cord, or plug into water or other liquids. Disconnect the plug (do not pull on the power cord) from the electrical outlet.

Do not put any stress on the power cord where it connects to the product, as the power cord could fray and break.

Do not operate the product if it has a damaged power cord or plug, malfunctions, is dropped, or damaged. This product has no user-serviceable parts.

Do not attempt to examine or repair this product yourself. Qualified service personnel should perform any servicing. This product is intended for indoor, non-commercial, non-industrial, household use only.

Do not use outdoors. This appliance is not intended for use by persons (including children) with reduced physical, sensory or mental capabilities or lack of experience and knowledge, unless they have been given supervision or instruction concerning use of the appliance by a person responsible for their safety.



How to unplug your fan correctly

To remove from the socket pull on the plug, not the electrical cord

WARRANTY

PLEASE RETAIN YOUR PROOF OF PURCHASE FOR WARRANTY CLAIMS.

ALVA warrants this appliance to be free of defects in material and quality for a period of 12 months from date of original purchase. This warranty covers the intended use of this appliance – within a domestic setting and not for commercial or industrial purposes. Any damage caused by willful abuse, tampering, modification or unauthorized repair will not be warranted.

Please retain all packaging material, as items returned without original packaging material may be subject to a withholding fee. Where this appliance is found to be defective, damaged, broken, or does not work correctly for the intended purpose, you must return the appliance to the retailer from where it was purchased.

The warranty will only be effected with valid proof of purchase. Failure to provide the proof of purchase will most likely result in the repair or service required being chargeable.

If you have any questions while setting up or using this Desk Fan, please visit www.alva.co.za or call 086 100 ALVA (2582) or e-mail info@stingray.co.za

GENERAL INFORMATION

Before using this Desk Fan, please read through this manual and make sure you understand everything. If you are not sure, call **086 100 ALVA (2582)** or visit www.alva.co.za for help.

Reading and understanding this manual should give you a good indication of what to expect from your Desk Fan.

Always keep your proof of purchase. Keep these instructions for future use.

If you lose this copy, you can obtain a new copy from your dealer or online at www.alva.co.za.

INDEX

PARTS LIST	2
ASSEMBLING THE FAN	3
OPERATING THE FAN	3
SPEED FUNCTION	4
OSCILLATION FUNCTION	4
TILT FUNCTION	4
CLEANING AND MAINTENANCE	5
DISPOSAL	5
TROUBLE SHOOTING	6
SPECIFICATIONS	6
AFTER SALES SERVICE	6

KEY

Notes marked with the following;



Contain important information

Notes marked with the following;

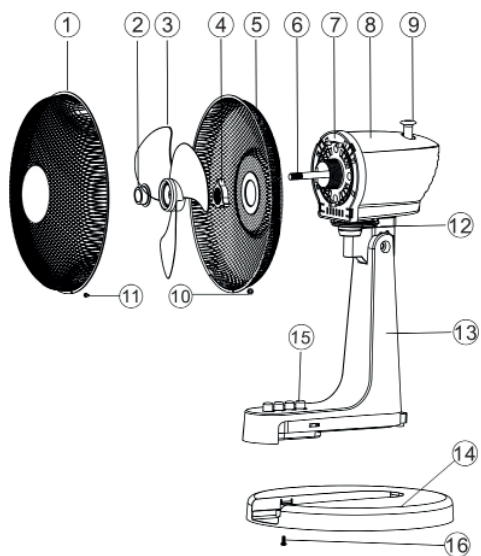


Contain cautions and warnings.

PARTS LIST

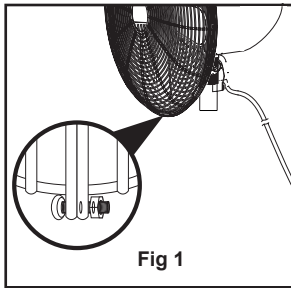
1.	Front Guard
2.	Blade Lock Nut
3.	Blade
4.	Guard Lock Nut
5.	Rear Guard
6.	Motor
7.	Front Motor Cover
8.	Motor Cover
9.	Oscillation Knob
10.	Guard Nut
11.	Guard Screw

12.	Motor Holder
13.	Main Housing
14.	Base
15.	Speed Buttons
16.	Base Screw



ASSEMBLING THE FAN

1. Remove all the appliance parts from the packaging.
2. Place the Main Housing (13), onto the Base (14), and secure with Base Screw (16)
3. Put the Rear Guard (5),(handle upper most) onto the Motor (6), ensuring the Front Motor Cover (7) plastic studs protrude through the slots in the Rear Guard (5). Secure in place with the plastic Guard Lock Nut (4), ensuring it is tightly fastened.
4. Slide the Blade (3), onto the motor shaft, making sure grooves in the back of the Blade (3) locate in the pin through the shaft. Secure in place with Blade Lock Nut (2). This is a left hand thread, to ensure the nut does not come loose during operation.
5. Open the Clips on the Front Guard (1) and place the Front Guard (1) on to the Rear Guard (5), (align locking screw holes at the bottom of guards) and close the clips over the outer rim.
6. Secure both guards with the Screw (11) and Nut (10) through the rims at the bottom. Fig1.



OPERATING THE FAN

This Desk Fan is for domestic use, it is not intended for industrial or commercial use. Your Desk Fan is safe and easy to use.

Place the fan on a flat, level surface and ensure it is stable.
Put the plug in the wall socket making sure the power cable is not taut and not in a walkway where it can be tripped over.

SPEED FUNCTION (15)

There are 3 speeds for your comfort and convenience.

- 1 - Low speed
- 2 - Medium speed
- 3 - High speed

0 - Off button to stop the fan working

OSCILLATION FUNCTION

The Desk Fan has an oscillating function (side to side swing) to cover large areas for your comfort and convenience.

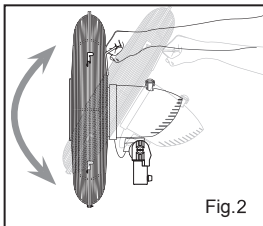
To activate this function, depress the Oscillation Knob (9) and the head will automatically oscillate from left to right and back again when the fan is switched on.

Lift the Oscillation Knob (9) to stop this function and the air will flow in one direction only.

TILT ADJUSTMENT

Hold the fan head by the Rear Grill (5) handle and tilt the head to the desired angle. Fig.2

The fan head will automatically stay at the angle chosen.



CLEANING AND MAINTENANCE

- The appliance, the power cord and the power plug must not be immersed in water or other liquids when you are cleaning them. Clean them with a dry cloth.
- If it is very dirty, the outside of the appliance can be wiped carefully with a moist cloth and then dried carefully. Make sure that no moisture penetrates into the interior of the appliance.
- Do not use any harsh cleaners, steel brushes, scouring powder or other hard objects to clean the appliance as these can cause scratches on the surfaces.
- Clean the appliance regularly.
- Never use solvents, benzene or oil-based cleaners as these can damage the housing.
- Re-tighten visible screw connections on the appliance regularly in order to ensure that the device is functioning properly.



Before cleaning the Fan always remove the plug from the power socket to prevent injury or electric shock.

DISPOSAL

Used electric household devices

1. If you do not want to use your electrical appliance any longer, dispose of it at a recycling depot for used electric appliances.
2. Used electric devices must not be disposed of with normal household rubbish.

Further disposal instructions

1. Return the electrical appliance in such a condition that its later re-use or recycling is not adversely affected.
2. Batteries must be removed in advance and the destruction of parts which contain fluids must be avoided.
3. Electrical appliances can contain harmful substances. Improper handling or damage to the appliance can lead to health problems or water or ground contamination, when the appliance is recycled later.



TROUBLE SHOOTING

If the Desk Fan will not operate	Confirm the Desk Fan switch is not in the off position
	Check that the Desk Fan is plugged into the wall socket and the wall socket is switched on

SPECIFICATIONS

Model	ACS205
Description	30cm Desk Fan
Voltage	220-240V ~ 50Hz
Input Power	35W
Any modification to the Desk Fan may cause injury or property damage.	
Any modification to the Desk Fan will invalidate the warranty on this appliance.	

AFTER SALES SERVICE

MANUFACTURED FOR AND DISTRIBUTED BY
Alva Marketing, a division of Stingray Accessory Manufacturers
(Pty) Ltd.

P.O. Box 30014

Tokai, 7966

Tel: 021 442 1540

E-mail: info@stingray.co.za

www.alva.co.za

 www.facebook.com/alvagas

TOLL FREE NUMBER

086 100 ALVA (2582)



Should you experience problems with this Desk Fan, carry out the necessary checks as per the Trouble Shooting Guide.

If you are still unable to correct the problem with the information in this guide, contact your nearest dealer or ALVA: 086 100 (ALVA) (2582) or e-mail info@stingray.co.za