

ALVA AIR

40cm BLACK PEDESTAL FAN

ACS200



- PLEASE READ THIS MANUAL CAREFULLY BEFORE USE AND ALWAYS OPERATE THIS PRODUCT ACCORDING TO THE INSTRUCTIONS
- RETAIN THIS MANUAL FOR FUTURE REFERENCE
- IT IS ILLEGAL AND DANGEROUS TO CHANGE OR MODIFY ANY PART OF THIS APPLIANCE

Manufactured for
and distributed by:

ALVA AIR

A division of Stingray Accessory Manufacturers (Pty) Ltd | P.O. Box 30014, Tokai, 7966
+27 21 442 1540 | info@stingray.co.za | www.alva.co.za
TOLL FREE NUMBER: 086 100 ALVA (2582)

 /AlvaGas

IMPORTANT SAFETY INFORMATION

- Please read these instructions carefully before using your Pedestal Fan. The operator must understand all safety requirements as detailed in this manual before using the unit.
- The manufacturer's warranty may be voided by incorrect use of this product. If you have any queries regarding these instructions, contact your local dealer for clarification before using your Pedestal Fan.
- Always remove unit from all packaging materials prior to use.
- Failure to follow the manuals instructions could result in damage or serious injury.
- When using electrical appliances, in order to reduce the risk of fire, electric shock, and/or injury, these basic safety precautions should always be followed.
- This product is intended for general domestic use in cooling rooms and is not intended for use in windows.
- Do not use the product for any other purpose.
- Keep the product out of the reach of children and pets. This product is not intended for use by children.
- Do not leave the product unattended while it is in use, especially when children are present. Always unplug the product from the electrical outlet when it is not in use. Always operate the product on a flat, level, steady, and stable surface to avoid it overturning.
- Do not hang or wall-mount the product.
- Do not place the product in or near an open window. Rain, snow, and other weather elements may create an electrical hazard.
- Keep the power cord and product away from sharp edges and heated surfaces.
- Always unplug the product from the electrical outlet when cleaning it.

Thank you for your purchase of this Pedestal Fan, Please read these instructions carefully before use and keep them in a safe place, for future reference.



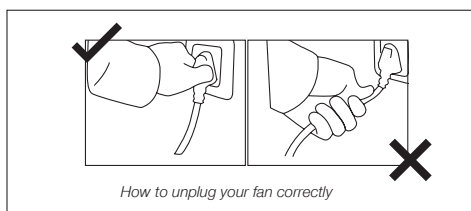
WARNING:
TO AVOID THE RISK OF ELECTRICAL SHOCK, ALWAYS MAKE SURE THE PRODUCT IS UNPLUGGED FROM THE ELECTRICAL OUTLET BEFORE ASSEMBLING, DISASSEMBLING, RELOCATING, SERVICING, OR CLEANING.

For indoor use only.



Assembly required

- Do not plug/unplug the product into/from the electrical outlet with a wet hand. Never insert fingers or any other object through the fan guards. Never drop or insert objects into any opening of the product.
- Do not attempt to open any part of the motor housing, as a risk of electrical shock may exist.
- Never operate the product without the fan guards in place, as serious personal injury may result. Plug the product into a standard outlet.
- Do not allow the power cord to hang (i.e., over the edge of a table or counter) where it may be tripped over or pulled.
- Do not operate product if the power cord is cut, damaged, or if the wires are exposed. Contact 086 100 ALVA (2582) or an Authorised Service agent to replace the power cord.
- Do not immerse or expose the motor housing, power cord, or plug to water or other liquids. Disconnect the plug (do not pull on the power cord) from the electrical outlet.
- Do not put any stress on the power cord where it connects to the product, as the power cord could fray and break.
- Do not operate the product if it has a damaged power cord or plug, malfunctions, is dropped, or damaged. This product has no user-serviceable parts.
- Do not attempt to examine or repair this product yourself. Qualified service personnel should perform any servicing. This product is intended for indoor, non-commercial, non-industrial, household use only.
- Do not use outdoors. This appliance is not intended for use by persons(including children) with reduced physical,sensory or mental capabilities or lack of experience and knowledge, unless they have been given supervision or instruction concerning use of the appliance by a person responsible for their safety.



How to unplug your fan correctly

To remove from the socket pull on the plug, not the electrical cord

WARRANTY

PLEASE RETAIN YOUR PROOF OF PURCHASE FOR WARRANTY CLAIMS.

ALVA warrants this appliance to be free of defects in material and quality for a period of 12 months from date of original purchase. This warranty covers the intended use of this appliance – within a domestic setting and not for commercial or industrial purposes. Any damage caused by willful abuse, tampering, modification or unauthorized repair will not be warranted.

Please retain all packaging material, as items returned without original packaging material may be subject to a withholding fee. Where this appliance is found to be defective, damaged, broken, or does not work correctly for the intended purpose, you must return the appliance to the retailer from where it was purchased.

The warranty will only be effected with valid proof of purchase. Failure to provide the proof of purchase will most likely result in the repair or service required being chargeable.

If you have any questions while setting up or using this Pedestal Stand Fan, please visit www.alva.co.za or call 086 100 ALVA (2582) or e-mail info@stingray.co.za

GENERAL INFORMATION

Before using this Pedestal Fan, please read through this manual and make sure you understand everything. If you are not sure, call **086 100 ALVA (2582)** or visit www.alva.co.za for help.

Reading and understanding this manual should give you a good indication of what to expect from your Pedestal Fan.

Always keep your proof of purchase. Keep these instructions for future use.

If you lose this copy, you can obtain a new copy from your dealer or online at www.alva.co.za.

INDEX

PARTS LIST	2
ASSEMBLING THE PEDESTAL FAN	3
OPERATING THE PEDESTAL FAN	3
OCSILLATION	4
TILT FUNCTION	4
HEIGHT ADJUSTMENT	4
CLEANING AND MAINTENANCE	5
DISPOSAL	5
TROUBLE SHOOTING	6
SPECIFICATIONS	6
AFTER SALES SERVICE	6

KEY

Notes marked with the following;



Contain important information

Notes marked with the following;

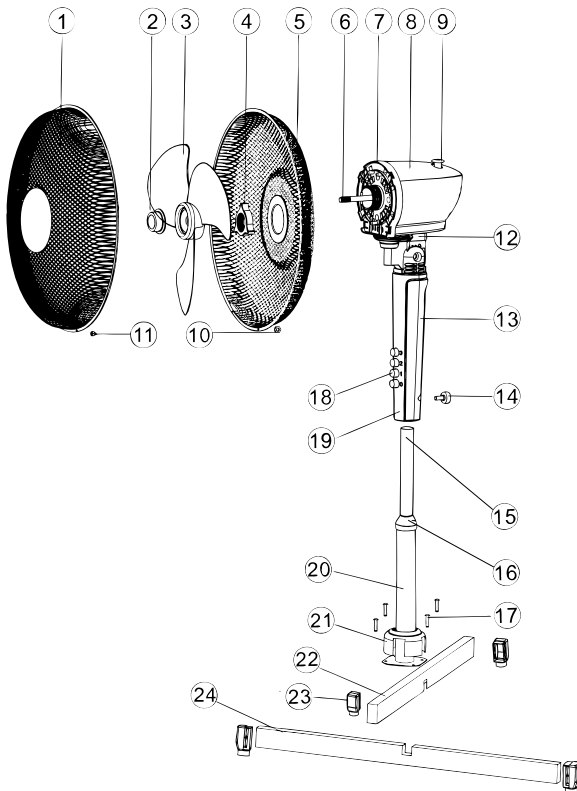


Contain cautions and warnings.

PARTS LIST

1.	Front Guard
2.	Blade Lock Nut
3.	Plastic Blade
4.	Rear Gaurd Lock Nut
5.	Rear Gaurd
6.	Motor
7.	Front Motor Cover
8.	Motor Cover
9.	Oscillation Knob
10.	Grill Nut
11.	Grill Screw
12.	Motor Holder

13.	Rear Control Panel
14.	Fixing Screw
15.	Top Tube
16.	Height Adjustment Collar
17.	Base Screw
18.	Fan Speed Buttons
19.	Front Control Panel
20.	Bottom Tube
21.	Base Cover </td
22.	Base Leg 1
23.	Plastic Feet
24.	Base Leg 2



ASSEMBLING THE FAN

1. Remove all of the appliance parts from the packaging.
2. Place the 2 Base Legs (22&24) over each other and attach the bottom tube (20) to the base legs with the 4 Base Screws (17).
3. Press the 4 Plastic Feet (23) in the end of each Base Leg (22&24).
4. Cover the joint of the Base Legs (22&24) and Bottom Tube (20) with the Base Cover (21).
5. Place the motor and switch body assembly onto the Top Tube (15) and secure in place with the Fixing Screw (14). Ensure it is tightly fastened.
6. Put the Rear Gaurd (5) (handle upper most) onto the Motor (6), ensuring the Front Motor Cover (7) plastic studs protude through the slots in the Rear Guard (5). Secure in place with the plastic Rear Guar Lock Nut (4), ensuring it is tightly fastened.
7. Slide Plastic Blade (3) onto motor shaft. Secure in place with Blade Lock Nut (2). This is a left hand thread to ensure the nut does not come loose during operation, making sure grooves in the back of the blade locate in the pin through the shaft.
8. Attach Front Gaurd (1) to Rear Gaurd (5) and lock together with the 5 tabs. Make sure the tabs are fully latched. Put the Guard Screw (11) through the hole at the bottom of the Front & Rear Gaurd. (1&5) and secure with Grill Nut (10).

OPERATING THE FAN

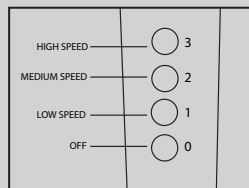
This Pedestal Fan is for domestic use, it is not intended for industrial or commercial use, Your Pedestal Fan is safe and easy to use. Place the fan on a flat, level surface and ensure it is stable. Put the plug in the wall socket making sure the power cable is not taut and not in a walkway where it can be tripped over.

- **Speed Function (18)**

This Pedestal Fan has 3 speeds for your confort and convenience.

- 1 - Low speed.
- 2 - Mid speed.
- 3 - High speed.

0 - Off button to stop the fan working.



- **Oscillation Function**

The Pedestal Fan has an oscillating function (side to side swing) for comfort and convenience.

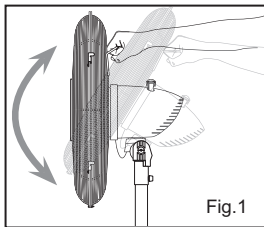
To activate this function, depress the Oscillation Knob (9) and the head will automatically oscillate from left to right and back again when the fan is switched on.

Lift the Oscillation Knob (9) to stop this function and keep the air flow in one direction only.

- **Tilt Adjustment**

Hold the fan head by the Rear Grill (5) handle and tilt the head to the desired angle.

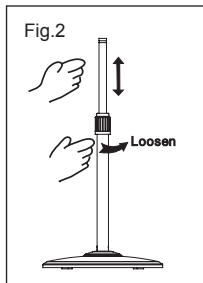
The fan head will automatically stay at the angle chosen.



- **Height Adjustment**

The height of the fan can be adjusted by turning the Height Adjustment Collar (16) anti-clockwise to loosen the Top Tube (15).

Adjust the Top Tube (15) to the desired height and firmly tighten the Height Adjustment Collar (16).



CLEANING AND MAINTENANCE

- The appliance, the power cord and the power plug must not be immersed in water or other liquids when you are cleaning them. Clean them with a dry cloth.
- If it is very dirty, the outside of the appliance can be wiped carefully with a moist cloth and then dried carefully. Make sure that no moisture penetrates into the interior of the appliance.
- Do not use any harsh cleaners, steel brushes, scouring powder or other hard objects to clean the appliance as these can cause scratches on the surfaces.
- Clean the appliance regularly.
- Never use solvents, benzene or oil-based cleaners as these can damage the housing.
- Re-tighten visible screw connections on the appliance regularly in order to ensure that the device is functioning properly.

DISPOSAL

Used electric household devices

1. If you do not want to use your electrical appliance any longer, dispose of it at a recycling depot for used electric appliances.
2. Used electric devices must not be disposed of with normal household rubbish.

Further disposal instructions:

1. Return the electrical appliance in such a condition that its later re-use or recycling is not adversely affected.
2. Batteries must be removed in advance and the destruction of parts which contain fluids must be avoided.
3. Electrical appliances can contain harmful substances. Improper handling or damage to the appliance can lead to health problems or water or ground contamination, when the appliance is recycled later.



Before cleaning the fan always remove the plug from the power socket to prevent injury or electrical shock.



TROUBLE SHOOTING

If the pedestal stand fan will not operate	Confirm the pedestal stand fan switch is not in the off position
	Make sure the electricity supply to the wall socket is working.

SPECIFICATIONS

Model	ACS200
Description	40cm Pedestal Fan
Voltage	220V-240V~50Hz
Power	45W
Any modification to the Pedestal Stand Fan may cause injury or property damage.	
Any modification to the Pedestal Stand Fan will invalidate the warranty on this appliance.	

AFTER SALES SERVICE

MANUFACTURED FOR AND DISTRIBUTED BY ALVA MARKETING
Alva Air, a division of Stingray Accessory Manufacturers
(Pty) Ltd.


P.O. Box 30014

Tokai, 7966

Tel: 021 442 1540

E-mail: info@stingray.co.za

www.alva.co.za

 www.facebook.com/AlvaGas

TOLL FREE NUMBER

086 100 ALVA (2582)



Should you experience problems with this Pedestal Fan, carry out the necessary checks as per the Trouble Shooting Guide.

If you are still unable to correct the problem with the information in this guide, contact your nearest dealer or ALVA: 086 100 (ALVA) (2582) or e-mail info@stingray.co.za